

Hydrotherapy

MODULAR POOL in stainless steel

Made by standard modules of 180cm, the stainless steel reeducation pool is the efficient solution for the equipment in hydrotherapy. The modular pool offers the flexibility to be installed for the most severe constraints of accessibility. The AINSI 316L stainless steel material resists the chlorinated hot water, and offer of the anti-skid properties which guarantee in the patient balance and stability. It offers a unique comfort and an ease of cleaning and maintenance which guarantee an irreproachable hygiene in the pool.

No fissurable, self-supporting, evolutionary & hygienic.

Stainless steel modular pool



Hydrotherapy

The reeducation pool made of standard modules and realised in stainless steel with structure self-supporting can either be embedded in the ground, or quite simply raised, without particular work. (concrete slab perfectly horizontal by liquid sreed (realised during shell))

This technology in stainless steel offers many advantages compared to a traditional solution of concrete basin with a "sealing" by tiling. (tightness, no fissurable, independent of the structure, total absence of concrete joints inside the basin, no risk of cut with a broken tile...)

The stainless steel hydrotherapy pool is reliable: the integral structure of the basin is deposited « floating » on a special foam mattress with high 10 cm thickness density called « PAD » the purpose of which is essential to disunite completely the basin of the concrete flagstone.

Thanks to this precaution, a possible movement of flagstone related to the work of the ground would not be transmitted to the basin.

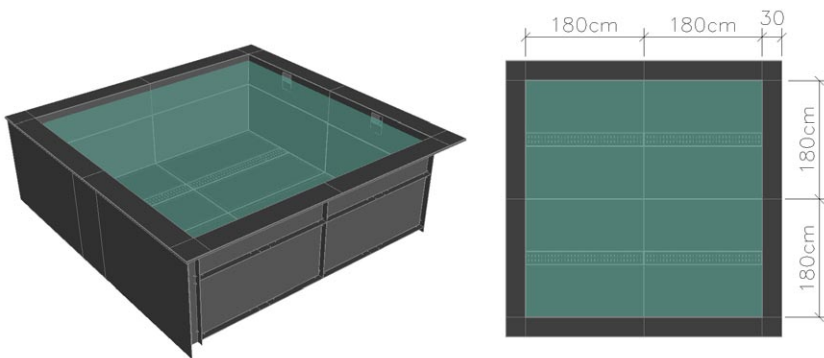
This original assembly, ensures the perennality of your investment and makes it possible REVAL to grant a decennial guarantee to you on the whole of the composite structure.

The panels of completion laid out on all the periphery of the basin are very easily dismantable, this with an aim of reaching the internal equipment and of being able to associate later on complementary nozzles, jet stream, lance of underwater massage or any other accessory. This specificity makes our basin an open and evolutionary concept.



Stainless steel modular pool

EXAMPLE OF A MODULAR POOL WITH INTERNAL DIMENSIONS: 3,6m X 3,6m



UNIQUE FEATURES :

- Hygiene.
- Smooth surfaces.
- Material is non-skid in water.
- Thermally insulating.
- Of fast installation and evolutionary.
- Simplified cleaning and maintenance.
- Ecological (totally recyclable material).

TECHNICAL DATAS :

- 180cm x 180cm standard modules, height 130cm.
- Every module consists of several elements; the biggest element composing a module has for dimensions: 180cm x 80cm x 30cm
- Dimensions maximales d'un bassin: 540cm x 360cm
- 316L stainless steel sheet (marine quality).
- Single water level : 120cm
- Possible integration of accessories.
- Equipped with skimmers for filtration.
- Independent of the building and no fissurable.

POSSIBLE CONFIGURATIONS :

(top views of the modular pools)
(internal dimensions of the pools)

