

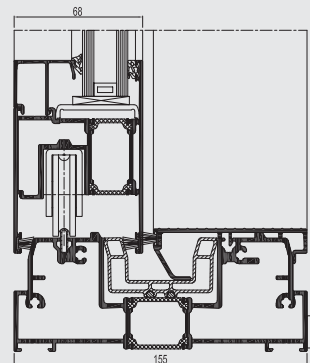
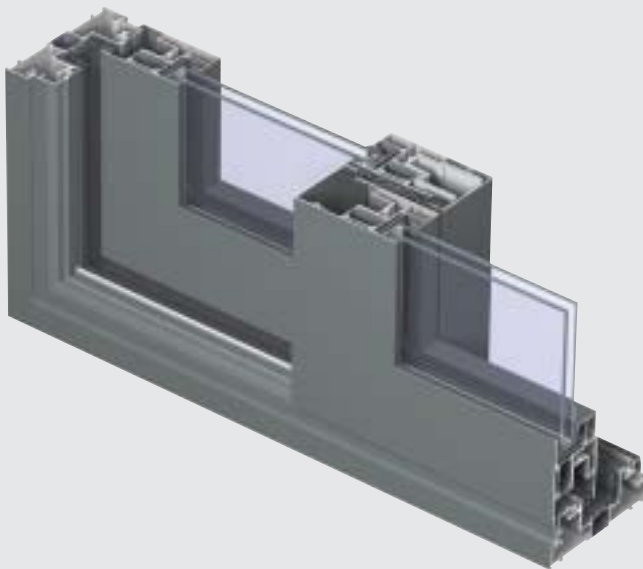
For more information on Reynaers visit www.barbourproductsearch.info



CP 155

Sliding System

R
REYNAERS
aluminium



CP 155 is a thermally insulated sliding system with a vent weight up to 400 kg and height up to 3 metres. The sophisticated concept fulfils the user's high expectations: optimum quality, high insulation and ease of operation. Automatic opening solutions for maximal comfort are also available.



TECHNICAL CHARACTERISTICS

Style variants	CP 155 MONORAIL / 2-RAIL / 3-RAIL / LS MONORAIL / LS 2-RAIL / LS 3-RAIL
Visible width / height	
Frame	60 mm
Vent	102 mm
T-profile	76-89-102-115-154 mm
Meeting section	128 mm
Overall system depth	
Frame	155 mm / 242 (3-rail / LS 3-rail)
Vent	68 mm
Rebate height	25 mm
Glass thickness	13 - 52 mm
Glazing method	dry glazing with EPDM or neutral silicones
Thermal insulation	23 mm and 32 mm fibreglass reinforced polyamide strips

PERFORMANCES

ENERGY

Thermal Insulation ⁽¹⁾ EN 10077-2	Uf-value between 3.0 W/m ² K and 4.8 W/m ² K, depending on the frame/vent combination.
---	---

COMFORT

Acoustic performance ⁽²⁾ EN ISO 140-3; EN ISO 717-1	Rw (C; Ctr) = 37 (-1;-3) dB / 43 (-1;-5) dB, depending on glazing type
---	--

Air tightness, max. test pressure ⁽³⁾ EN 12208	1 (150 Pa)	2 (300 Pa)	3 (600 Pa)	4 (600 Pa)
--	---------------	---------------	---------------	---------------

Water tightness ⁽⁴⁾ EN 12208	1A (0 Pa)	2A (50 Pa)	3A (100 Pa)	4A (150 Pa)	5A (200 Pa)	6A (250 Pa)	7A (300 Pa)	8A (450 Pa)	9A (600 Pa)	Exxx
--	--------------	---------------	----------------	----------------	----------------	----------------	----------------	----------------	----------------	------

Wind load resistance, max. test pressure ⁽⁵⁾ EN 12211; EN 12210	1 (400 Pa)	2 (800 Pa)	3 (1200 Pa)	4 (1600 Pa)	5 (2000 Pa)	Exxx (> 2000 Pa)
--	---------------	---------------	----------------	----------------	----------------	---------------------

Wind load resistance to frame deflection ⁽⁵⁾ EN 12211; EN 12210	A (≤1/150)	B (≤1/200)	C (≤1/300)
--	---------------	---------------	---------------

SAFETY

Burglar resistance ⁽⁶⁾ ENV 1627 - ENV 1630	WK 1	WK 2	WK 3
--	------	------	------

This table shows possible classes and values of performances. The values indicated in red are the ones relevant to this system.

- (1) The Uf-value measures the heat flow. The lower the Uf-value, the better the thermal insulation of the frame.
- (2) The sound reduction index (Rw) measures the capacity of the sound reduction performance of the frame.
- (3) The air tightness test measures the volume of air that would pass through a closed window at a certain air pressure.
- (4) The water tightness testing involves applying a uniform water spray at increasing air pressure until water penetrates the window.
- (5) The wind load resistance is a measure of the profile's structural strength and is tested by applying increasing levels of air pressure to simulate the wind force. There are up to five levels of wind resistance (1 to 5) and three deflection classes (A,B,C). The higher the number, the better the performance.
- (6) The burglar resistance is tested by statistical and dynamic loads, as well as by simulated attempts to break in using specified tools.