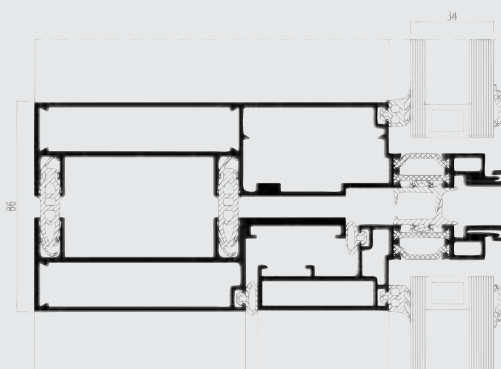
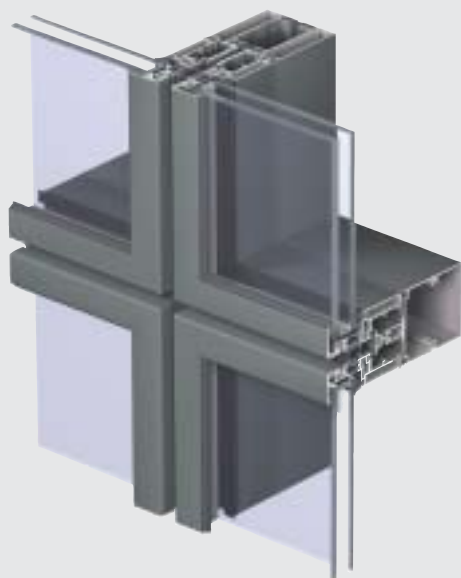


CW 86

Curtain walls

R
REYNAERS
aluminium



CW 86 enables cassette façades to be built using a traditional stick structure (CW 86). It also enables unitised façades (CW 86-EF) to be completely pre-assembled in the workshop that results in a high execution speed on the building site.

CW 86 is available in Structural Glazing (SG) and Cassette Glazing (CG). The system enables the motorisation of opening elements such as top hung or parallel opening windows. Different types of windows, doors, sliding systems and brise soleil can be integrated.

Different inner and outer colours are possible.



TECHNICAL CHARACTERISTICS - ELEMENT FACADE



| Style variants | CW 86-EF-CG functional | CW 86-EF-CG (FIXED FAÇADE JUNIOR) moderate solution | CW 86-EF-HI ultimate thermal comfort | CW 86-EF-SG structural sealed glazing |
|-----------------------------------|-----------------------------------------------------------------------------------------------|---------------------------------------------------------------|-------------------------------------------------------------------------|--------------------------------------------------------|
| Interior visible width | 86 mm (38.5 - 9 - 38.5) | 86 mm (38.5 - 9 - 38.5) | 86 mm (38.5 - 9 - 38.5) | 86 mm (38.5 - 9 - 38.5) |
| Depth vertical mullions | 195 mm (fixed element) | 150 mm | 168 mm | 206 mm |
| Depth horizontal transoms | 195 mm (fixed element) | 150 mm | 168 mm | 205.5 mm |
| Inertia mullions (lx: wind load) | min. 114.76 cm ⁴ (x2) to max. 243.72 cm ⁴ (x2) | 115.72 cm ⁴ (x2) | 112.1 cm ⁴ | 114.76 cm ⁴ (x2) |
| Inertia transoms (lx: wind load) | up to max 435.83 cm ⁴ | up to max 206.33 cm ⁴ | 194.7 cm ⁴ | up to max 187.11 cm ⁴ |
| Inertia transoms (ly: glass load) | 51.54 cm ⁴ to max 153.38 cm ⁴ | 118.61 cm ⁴ | 116.2 cm ⁴ | 51.54 cm ⁴ to max 99.41 cm ⁴ |
| Exterior visible width | 68 mm (26 - 16 - 26) or 86 mm (35 - 16 - 36) | 86 mm (35 - 16 - 35) | 86 mm (38.5 - 9 - 38.5) | 22 mm joint between glass |
| Exterior aesthetics | aluminium glazing beads | aluminium glazing beads | aluminium glazing beads | glass wall |
| Glazing | glazing bead + EPDM gasket | glazing bead + EPDM gasket | glazing beads + EPDM gasket | structural glazing on cassettes |
| Rebate height | 19 mm to 21 mm | 19 mm to 21 mm | 19 mm | 32 mm |
| Glass thickness | from 4 mm to 38 mm | from 6 mm to 38 mm | from 30 up to 50 mm | from 6 mm to 36 mm |
| Type of vents | integrated top hung window and escape windows open out, all types of CS window and door vents | top hung window, all types of CS window and door vents | integrated top hung & POW window, all types of CS window and door vents | integrated top hung window and escape windows open out |

TECHNICAL CHARACTERISTICS - SEMI ELEMENT FACADE



| Style variants | CW 86-CG functional | CW 86-SG structural sealed glazing |
|-----------------------------------|-----------------------------------------------------------------------------------------------|---------------------------------------------------------|
| Interior visible width | 86 mm | 86 mm |
| Depth vertical mullions | from 47.5 mm to 161 mm | from 47.5 mm to 161 mm |
| Depth horizontal transoms | from 47.5 mm to 161 mm | from 47.5 mm to 161 mm |
| Inertia mullions (lx: wind load) | min 13.85 cm ⁴ to max 544.25 cm ⁴ | min 13.85 cm ⁴ to max 544.25 cm ⁴ |
| Inertia transoms (lx: wind load) | min 13.85 cm ⁴ to max 544.25 cm ⁴ | min 13.85 cm ⁴ to max 544.25 cm ⁴ |
| Inertia transoms (ly: glass load) | min 18.67 cm ⁴ to max 58.24 cm ⁴ | min 18.67 cm ⁴ to max 58.24 cm ⁴ |
| Exterior visible width | 68 mm (28 - 16 - 28) or 86 mm (35 - 16 - 35) | 22 mm joint between glass |
| Exterior aesthetics | aluminium glazing beads | glass wall |
| Glazing | glazing bead + EPDM gasket | structural glazing on cassettes |
| Rebate height | 19 mm to 21 mm | 32 mm |
| Glass thickness | from 4 mm to 38 mm | from 6 mm to 36 mm |
| Type of vents | integrated top hung window and escape windows open out, all types of CS window and door vents | integrated top hung window and escape windows open out |

PERFORMANCES

ENERGY

Thermal Insulation⁽¹⁾
EN 10077-2

$U_f \geq 1.5 \text{ W/m}^2\text{K}$, depending on the profile combination.

COMFORT

Acoustic performance⁽²⁾
EN ISO 140-3; EN ISO 717-1

$R_w (C; C_{tr}) = 41 (-2; -5) \text{ dB}$, other values depending on glazing type

Air tightness, max. test pressure⁽³⁾
EN 12153, EN 12152

A4

Water tightness⁽⁴⁾
EN 12155, EN 12154

R4
150

R5
300

R6
450

R7
600

RE
900

Wind load resistance, max. test pressure⁽⁵⁾
EN12179, EN13166

2000 Pa

This table shows possible classes and values of performances. The values indicated in red are the ones relevant to this system.

(1) The U_f -value measures the heat flow. The lower the U_f -value, the better the thermal insulation of the frame.

(2) The sound reduction index (R_w) measures the capacity of the sound reduction performance of the frame.

(3) The air tightness test measures the volume of air that would pass through a closed window at a certain air pressure.

(4) The water tightness testing involves applying a uniform water spray at increasing air pressure until water penetrates the window.

(5) The wind load resistance is a measure of the profile's structural strength and is tested by applying increasing levels of air pressure to simulate the wind force. There are up to five levels of wind resistance (1 to 5) and three deflection classes (A,B,C). The higher the number, the better the performance.

REYNAERS ALUMINIUM NV/SA • www.reynaers.com • info@reynaers.com

11/2007 - OH0.43C2.00 - Publisher Responsible at Law: L. Finé, Oude Liersebaan 266, B-2570 Duffel

