

For more information go to [www.barbourproductsearch.info](http://www.barbourproductsearch.info)

**GEZE**

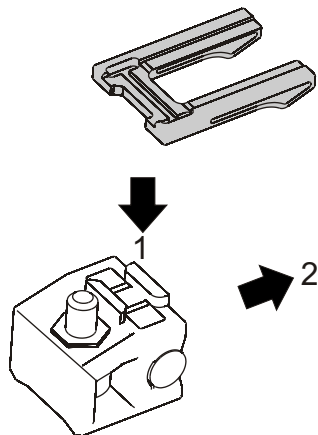
**Rohrpuffer**  
**Rollan 40N/80**

Zeichng.-Nr. 10417-2-0270  
Ident.-Nr. 120193  
Änd.-St. 00

GEZE GmbH  
P.O. Box 1363  
71226 Leonberg  
Germany

GEZE GmbH  
Reinhold-Vögler-Straße 21-29  
71229 Leonberg  
Germany

Telefon (07152) 203-0  
Telefax (07152) 2033-10  
[www.geze.com](http://www.geze.com)



**Ident-Nr. 120161**

