

DATASHEET

XS4 Mini by SALTO

Stylish design is a SALTO trademark and with the XS4 Mini, we raise the bar on this already high standard thanks to its small, discreet size combined with a modern, clean LED aesthetic.

The Mini's smart compactness simplifies installation. Besides, it maintains the fire rating of the door as no additional drilling of the door is required.

www.saltosystems.com

TECHNICAL SPECIFICATIONS: XS4 MINI Ex15x

SALTO
inspired access



TECHNICAL DATA:

Reader dimensions (H x W x D):	127,0 x 58,5 x 22,5 mm
Weight	0,5 kg
Handle rotation:	Max. 45°
Door thicknesses:	35 mm - 120 mm
Square spindles:	8 or 9 mm
Mounting	DIN-Rosette 7,5 mm drill
Power source:	3 AAA batteries (LR03 1,5V)
Number of openings:	40,000
Maximum events on lock audit	2 250 (SVN standalone mode) 1 850 (SVN BLUEnet mode) 1 450 (SALTO KS mode)
Temperature (without condensation):	+5 °C / +60 °C.
IP class:	Not suitable for outdoor use. Up to max. 80% humidity, non-condensing.
Certifications:	CE, Ü-Certificate, EN 1634-1 EI 60

ID TECHNOLOGIES:

MIFARE / DESFire:*	•
BLE Smart:	•
NFC:	•
Legic:**	—
HID iClass®:	•
Picopass:	—
i-Button:	—

* MIFARE® (DESFire EV2, Plus, Ultralight C, Classic).

** Legic Prime and Legic Advant

TECHNOLOGY PLATFORMS:

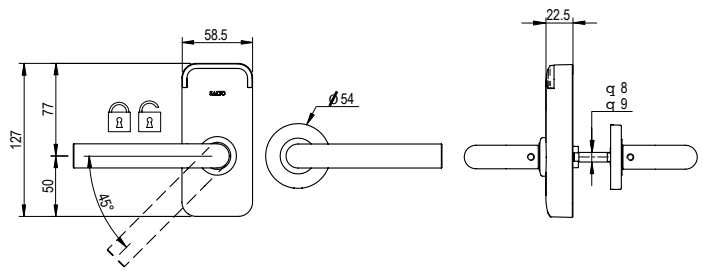
SALTO SPACE:

Smile - Selfprogrammable	—
ROM:	•
SVN data-on-card:	•
SALTO RFnet:	—
SALTO BLUEnet:	•
SALLIS:	—

SALTO KS:

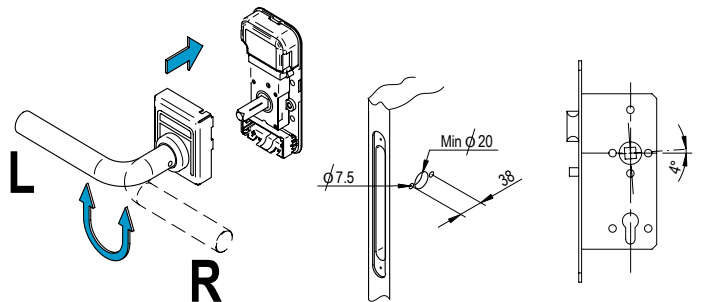
SALTO KS:	•
-----------	---

TECHNICAL DRAWING:



HANDING REVERSIBLE

DOOR



OPENING MODES:

Standard:	•
Office mode:	•
Timed office:	•
Automatic opening:	•
Automatic opening + office	•
Toggle:	•
Timed Toggle:	•
Amok mode:	—
Exit leaves open mode:	•
Pin code / Keypad:	—

OPTIONS:

Reader colour:

Black:	•
White:	•

Faceplate finish:

IM Satin stainless steel:	•
IP Bright stainless steel:	•
IA Antique brass:	•
PP PVD bright brass type:	•
PM PVD satin brass type:	•
NE Black chromium:	•
BC BioCote anti-microbial:	•

Handles

Compatible handles	U, L, W, E, T, J, G, N, S, K, O, 2, 3, 4, 7
--------------------	--