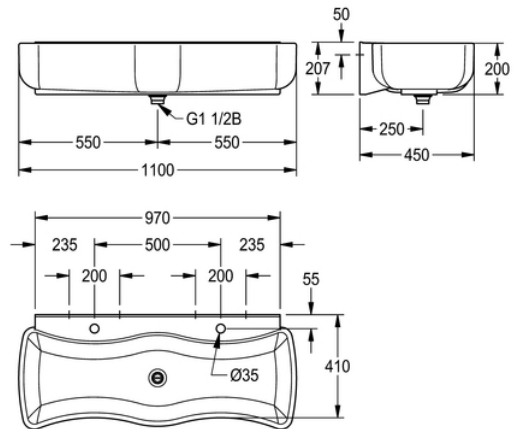


WASH AND PLAY TROUGH FOR CHILDREN: SANW200

SANW200 | 2000103056

PRODUCT GROUP : Wash basins | ARTICLE FAMILY : Wash troughs | ARTICLE GROUP : SANW200++ | MODEL RANGE : MIRANIT



WASHINO Children's Wash-and-Play Trough made of MIRANIT resin-bonded mineral material, with a smooth, pore-free surface (temperature-resistant up to 80°C). Alpine white colour. Wave-shaped basins with reduced extension to increase accessibility to the tap, large outer radii of basins to minimise risk of injury, large inner radii facilitate easy cleaning. Tap landing with a tap hole for each wash place. Waste and overflow valve DN 40 x 120 mm implemented as a standpipe. Integral back panel for fixing. Mounting material included.

2 wash places

TECHNICAL DATA

gross weight	70.25 kg
material	mineral material
material code	Miranit
net weight	45.25 kg
number of waste holes	1
overall depth	450.00 mm
overall height	207.00 mm
overall width	1,100.00 mm
rear upstand	no
splash back	yes
number of tap holes	2
tap ledge	yes
type of mounting	wall mounting
type of waste kit	1 1/2" duplex waste with standpipe
number of wash places	2
waste hole position	centre
waste kit included	yes
waste size	DN 40