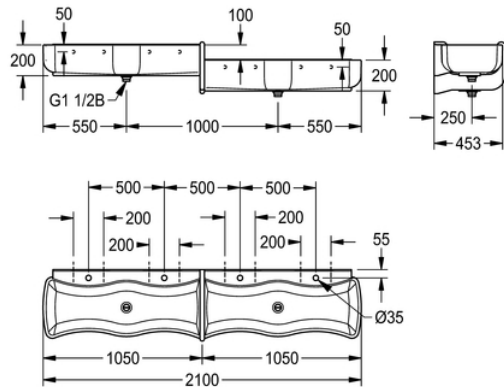


WASH AND PLAY TROUGH FOR CHILDREN: SANW211

SANW211 | 2000103058

PRODUCT GROUP : Wash basins | ARTICLE FAMILY : Wash troughs | ARTICLE GROUP : SANW211++ | MODEL RANGE : MIRANIT



WASHINO Children's Wash-and-Play Trough made of MIRANIT resin-bonded mineral material, with a smooth, pore-free surface (temperature-resistant up to 80°C). Alpine white colour. With 4 wash places (2 wash places with a height difference of 100 mm), wave-shaped basins with reduced extension to increase accessibility to the tap, large outer radii of basins to minimise risk of injury, large inner radii facilitate easy cleaning. Tap landing with a tap hole for each wash place. Integrated divider with overflow function made of MIRANIT, blue colour (RAL 5002). Waste and overflow valve DN 40 x 120 mm implemented as a standpipe for 2 wash places. Integral back panel for fixing. Mounting material included.

Version with basin left above/right below

TECHNICAL DATA

gross weight	145.00 kg
material	mineral material
material code	Miranit
net weight	90.50 kg
number of waste holes	2
overall depth	470.00 mm
overall height	340.00 mm
overall width	2,100.00 mm
rear upstand	no
splash back	yes
number of tap holes	4
tap ledge	yes
type of mounting	wall mounting
type of waste kit	1 1/2" duplex waste with standpipe
number of wash places	4
waste hole position	centre
waste kit included	yes
waste size	DN 40