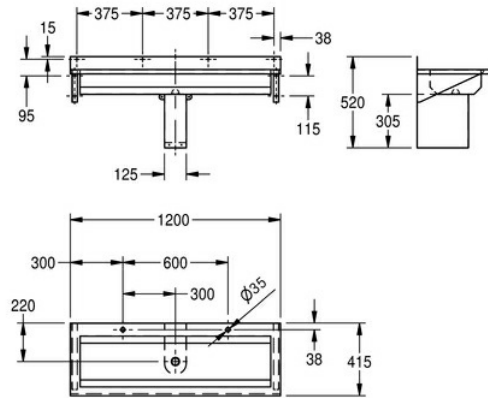


WASH TROUGH: SANX120

SANX120 | 2000090074

PRODUCT GROUP : Wash basins | ARTICLE FAMILY : Wash troughs | ARTICLE GROUP : SANX120++ | MODEL RANGE : SATURN



Wall mounted washtroughs with tap ledge and optional rear splashbacks incorporating manual or electronic self-closing water controls, manufactured from 1.2 mm thick stainless steel. 1200 mm Washtrough with tap ledge for 2 users.

1200mm Washtrough with Tap Deck for 2 users

TECHNICAL DATA

bowl - bowl depth	115.00 mm
bowl - depth	290.00 mm
bowl - width	1,090.00 mm
gross weight	12.40 kg
material	stainless steel
material code	1.4301 Chrome Nickel steel V2A
material thickness	1.20 mm
net weight	10.40 kg
number of waste holes	1
overall depth	415.00 mm
overall height	215.00 mm
overall width	1,200.00 mm
rear upstand	yes
splash back	component of another part
surface finish	satin finished
number of tap holes	2
type of mounting	wall mounting
waste hole position	centre
waste hole projection	220.00 mm
waste kit included	yes
waste size	DN 50