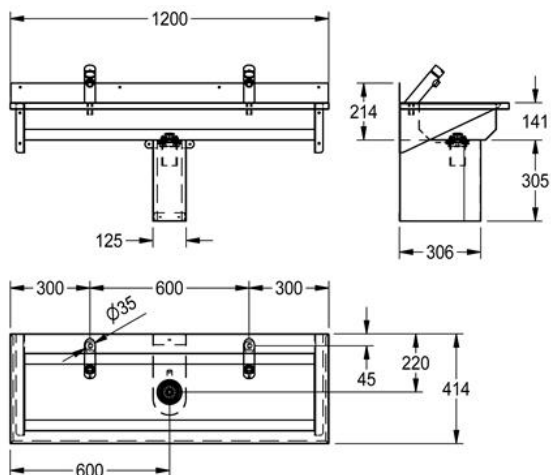


WASHTROUGH: SANX120E

SANX120E | 2030025065

ARTICLE GROUP : **SANX120++** | ARTICLE FAMILY : **Wash troughs** | PRODUCT GROUP : **Wash basins** | MODEL RANGE : **SATURN**



Wall mounted washtroughs with tap ledge and optional rear splashbacks incorporating manual or electronic self-closing water controls, manufactured from 1.2 mm thick stainless steel. 1200 mm Washtrough with tap ledge for 2 users.

2 Person washtrough and tap landing, supplied with electronic touch free taps waste and overflow. 2 wash places dimensions: 1200 x 415 x 215mm

TECHNICAL DATA

gross weight	22.00 kg
net weight	22.00 kg
bowl - bowl depth	115.00 mm
bowl - depth	290.00 mm
bowl - width	1,090.00 mm
material	stainless steel
material code	1.4301 Chrome Nickel steel V2A
material thickness	1.20 mm
number of waste holes	1
overall depth	415.00 mm
overall height	215.00 mm
overall width	1,200.00 mm
rear upstand	yes
surface finish	satin finished
number of tap holes	2
type of mounting	wall mounting
number of wash places	2
waste hole position	centre back
waste hole projection	220.00 mm
waste kit included	yes
waste size	DN 50