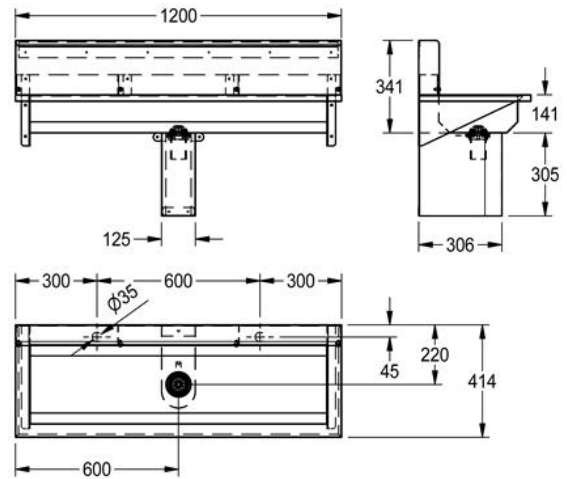


# WASHTROUGH: SANX120SB

SANX120SB | 2030025068

ARTICLE GROUP : **SANX120++** | ARTICLE FAMILY : **Wash troughs** | PRODUCT GROUP : **Wash basins** | MODEL RANGE : **SATURN**



Wall mounted washtroughs with tap ledge and optional rear splashbacks incorporating manual or electronic self-closing water controls, manufactured from 1.2 mm thick stainless steel. 1200 mm Washtrough with tap ledge for 2 users.

2 Person washtrough and splashback, no tapholes, supplied with waste and overflow. 2 wash places dimensions: 1200 x 415 x 415mm

## TECHNICAL DATA

gross weight	17.00 kg
net weight	15.00 kg
splash back height	200.00 mm
bowl - bowl depth	115.00 mm
bowl - depth	290.00 mm
bowl - width	1,090.00 mm
material	stainless steel
material code	1.4301 Chrome Nickel steel V2A
material thickness	1.20 mm
number of waste holes	1
overall depth	415.00 mm
overall height	415.00 mm
overall width	1,200.00 mm
rear upstand	yes
splash back	yes
surface finish	satin finished
type of mounting	wall mounting
number of wash places	2
waste hole position	centre back
waste hole projection	220.00 mm
waste kit included	yes
waste size	DN 50

