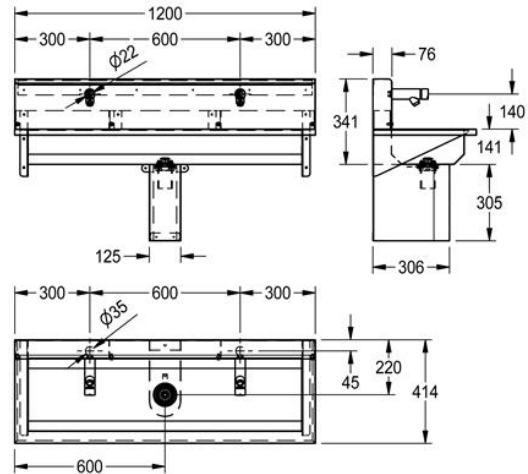


WASHTROUGH: SANX120SBM

SANX120SBM | 2030025074

ARTICLE GROUP : **SANX120++** | ARTICLE FAMILY : **Wash troughs** | PRODUCT GROUP : **Wash basins** | MODEL RANGE : **SATURN**



Wall mounted washtroughs with tap ledge and optional rear splashbacks incorporating manual or electronic self-closing water controls, manufactured from 1.2 mm thick stainless steel.

1200 mm Washtrough with tap ledge for 2 users.

2 Person washtrough and splashback, supplied with manual self closing mixer taps, waste and overflow.

2 wash places dimensions: 1200 x 415 x 415mm

TECHNICAL DATA

gross weight	28.00 kg
net weight	28.00 kg
bowl - bowl depth	115.00 mm
bowl - depth	290.00 mm
bowl - width	1,090.00 mm
material	stainless steel
material code	1.4301 Chrome Nickel steel V2A
material thickness	1.20 mm
number of waste holes	1
overall depth	415.00 mm
overall height	415.00 mm
overall width	1,200.00 mm
rear upstand	yes
splash back	yes
surface finish	satin finished
number of tap holes	2
type of mounting	wall mounting
waste hole position	centre back
waste hole projection	220.00 mm
waste kit included	yes
waste size	DN 50

WASH TROUGH: SANX120SBM

SANX120SBM | 2030025074

ARTICLE GROUP : **SANX120++** | ARTICLE FAMILY : **Wash troughs** | PRODUCT GROUP : **Wash basins** | MODEL RANGE : **SATURN**

SPARE PART



**SELF-CLOSING BIB TAP:
AQUA205W**

2000065911
