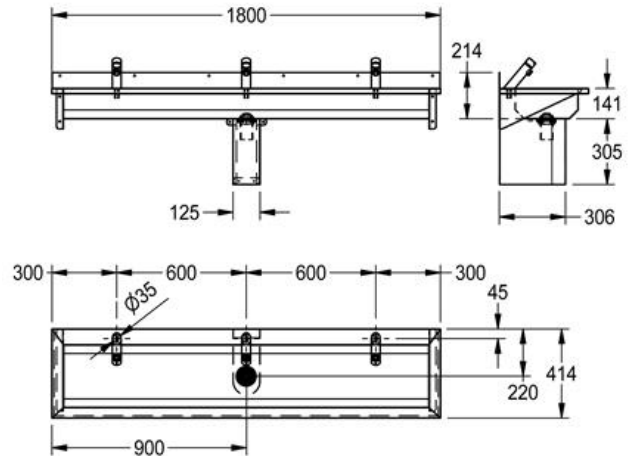


WASHTROUGH: SANX180E

SANX180E | 2030025090

ARTICLE GROUP : **SANX180++** | ARTICLE FAMILY : **Wash troughs** | PRODUCT GROUP : **Wash basins** | MODEL RANGE : **SATURN**



Wall mounted washtroughs with tap deck and optional rear splashbacks incorporating manual or electronic self-closing water controls, manufactured from 1.2mm thick stainless steel. 1800mm Washtrough with Tap Deck for 3 users

3 Person washtrough and tap landing, supplied with electronic touch free taps, waste and overflow. 3 wash places dimensions: 1800 x 415 x 215mm

TECHNICAL DATA

gross weight	23.00 kg
net weight	20.00 kg
basin - basin depth	115.00 mm
basin - depth	290.00 mm
basin - width	1,690.00 mm
material	stainless steel
material code	1.4301 Chrome Nickel steel V2A
material thickness	1.20 mm
number of waste holes	1
overall depth	415.00 mm
overall height	215.00 mm
overall width	1,800.00 mm
rear upstand	yes
splash back	no
surface finish	satin finished
number of tap holes	3
type of mounting	wall mounting
waste hole position	centre back
waste hole projection	220.00 mm
waste kit included	yes
waste size	DN 50