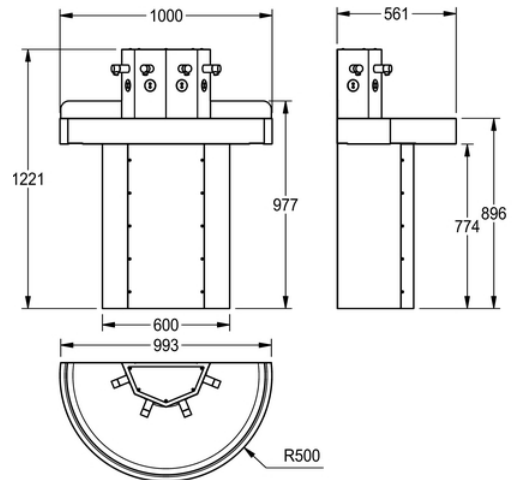


SEMI-CIRCULAR WASH TROUGH: SANX410

SANX410 | 2000101286

PRODUCT GROUP : Wash basins | ARTICLE FAMILY : Wash troughs | ARTICLE GROUP : SANX400 ++



Designed to be highly durable and water efficient and to withstand intensive use in a busy environments, the semi-circular washtrough is highly vandal resistant. The product is for up to 4 person operation with a choice of non-touch infra-red controls or manually operated self closing taps, designed to save water and energy with adjustable flow time. Both tap options are available with soap dispensers. For mounting up to a wall and for duct mounted or floor supply services. The use of a single water supply and waste has a significant cost saving compared to conventional washbasins which need water supply and waste for each basin. Delivered fully assembled Junior height version available.

Semi-circular non electronic non touch tap

TECHNICAL DATA

gross weight	34.00 kg
material	stainless steel
material code	1.4301 Chrome Nickel steel V2A
material thickness	1.50 mm
overall depth	561.00 mm
overall height	1,205.00 mm
overall width	1,000.00 mm
rear upstand	no
splash back	no
type of mounting	floor mounting
net weight	30.00 kg

SEMI-CIRCULAR WASH TROUGH: SANX410

SANX410 | 2000101286

PRODUCT GROUP : **Wash basins** | ARTICLE FAMILY : **Wash troughs** | ARTICLE GROUP : **SANX400 ++**

SPARE PART



WALL OUTLET

2000100809
