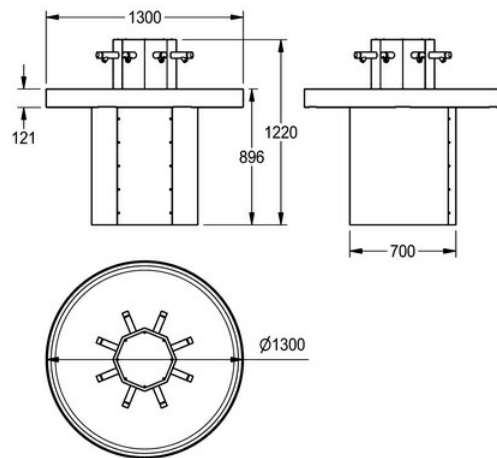


# SANX810

SANX810 | 2030012538

PRODUCT GROUP : Wash basins | ARTICLE FAMILY : Wash troughs | ARTICLE GROUP : SANX800++



## Circular Washtrough

Designed to be highly durable and water efficient and to withstand intensive use in busy environments, circular washtroughs are particularly vandal resistant. For up to 8 users with a choice of touch free infra-red controls or manually operated self-closing taps, designed to save water and energy with adjustable flow time. Both tap options are available with soap dispensers.

The large floor mounted base for the circular troughs provides good stability. Services are fed from below and can be accessed through a side panel which are fitted with tamper proof security screws. The use of a single water supply and waste has a significant cost saving compared to conventional washbasins which need a water supply and waste for each basin. Delivered fully assembled. Junior height version also available.

## TECHNICAL DATA

gross weight	93.00 kg
material	stainless steel
material code	1.4301 Chrome Nickel steel V2A
material thickness	1.50 mm
net weight	89.00 kg
number of waste holes	1
overall depth	1,300.00 mm
overall height	1,220.00 mm
overall width	1,300.00 mm
rear upstand	no
splash back	no
surface finish	satin finished
number of tap holes	8
type of mounting	floor mounting
number of wash places	8
waste hole position	centre
waste kit included	yes
waste size	DN 40

# SANX810

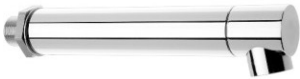
SANX810 | 2030012538

PRODUCT GROUP : **Wash basins** | ARTICLE FAMILY : **Wash troughs** | ARTICLE GROUP : **SANX800++**

---

## SPARE PART

---



---

## WALL OUTLET

---

2000100809

---