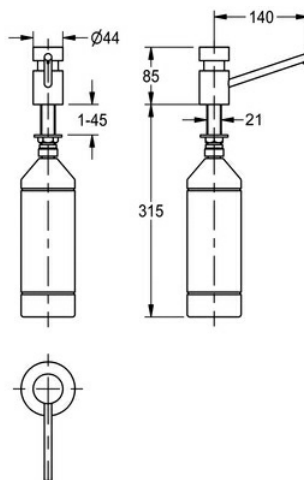


# TABLE SOAP DISPENSER: SD80

SD80 | 2000056721

ARTICLE GROUP : **SD80++** | ARTICLE FAMILY : **Soap dispensers** | PRODUCT GROUP : **Accessories**



Soap dispenser for table top mounting into worktops with max. 45 mm thickness, high polished chromated brass, requires 22 mm drilling hole, 1/2" thread, spout not movable, spout length 140 mm, suitable for liquid soaps and lotions, 1 liter soap tank with membrane for pressure balance, filled from above.

with standard body length (85 mm)

## TECHNICAL DATA

filling quantity	1,000 ml
gross weight	1.16 kg
lock	no lock
material	brass
net weight	1.00 kg
overall depth	162.00 mm
overall height	400.00 mm
overall width	44.00 mm
surface finish	chromed
type of consumable	liquid soap
type of fixing	screw
type of mounting	counter top mounting
type of operation	manual operation
type of soap container	integrated refillable tank

# TABLE SOAP DISPENSER: SD80

SD80 | 2000056721

ARTICLE GROUP : **SD80++** | ARTICLE FAMILY : **Soap dispensers** | PRODUCT GROUP : **Accessories**

---

## CONSUMABLE

---



---

**LIQUID SOAP: SO1L**

---

2000057162

---



---

**LIQUID SOAP: SO10L**

---

2000057168

---