

# Temperature Blending Valve Adjuster

## SH00-011

In many public areas supplying water at 41 °C is ideal. If however the requirement is to provide 41 °C with user adjustment between this temperature and cold (determined by the cold input temperature) then the temperature blending valve adjuster can be added to accommodate this facility. The blender adjuster is designed to be robust with good aesthetics and therefore suits all applications. Features include: Robust construction, Tamper proof, Easy to install. Product for 1.5mm to 22mm wall thickness.



### PRODUCT NUMBER

SH00-011 Temperature blending valve adjuster

### TECHNICAL DATA

Weight	0.9kg
Material	Body: Chromed brass Fittings: DZR Brass
Wall thickness compatibility	1.5mm - 22mm
Type of operation	Manual
Surface finish	Chromed finish
Water connection	Brass 1/2" BSP connection

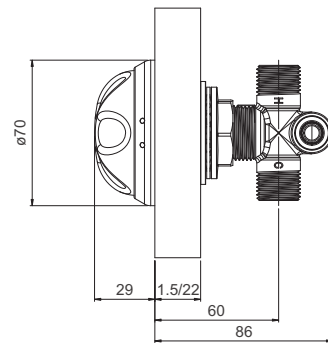
### Features:

Robust construction  
Tamper proof  
Easy to install

### Recommendations:

It is strongly recommended to fit a thermostatic mixing valve prior to fitting the blender valve.

### Dimensions



ALL DIMENSIONS IN MM

Last Updated: 2015-12-01, Dart Valley Systems