

Temperature Blending Valve Adjuster

SH00-012

In many public areas supplying water at 41 °C is ideal. If however the requirement is to provide 41 °C with user adjustment between this temperature and cold (determined by the cold input temperature) then the temperature blending valve adjuster can be added to accommodate this facility. The blender adjuster is designed to be robust with good aesthetics and therefore suits all applications.



PRODUCT NUMBER

SH00-012 Temperature blending valve adjuster

TECHNICAL DATA

Weight	1.1 kg
Material	Body: Chromed brass Fittings: DZR Brass
Wall thickness compatibility	22mm - 180mm
Type of operation	Manual
Surface finish	Chromed finish
Water connection	Brass 1/2" BSP connection

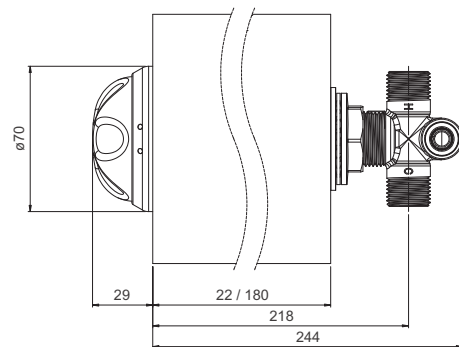
Features:

Robust construction
Tamper proof
Easy to install

Recommendations:

It is strongly recommended to fit a thermostatic mixing valve prior to fitting the blender valve.

Dimensions



ALL DIMENSIONS IN MM

Last Updated: 2015-12-01, Dart Valley Systems