

DUAL OUTLET SHOWER TOWER

SH01-013

Designed for high-security healthcare applications.

Featuring a dual outlet, this means that assisted and unassisted showering can be achieved, making it well suited to high security healthcare applications. Switching between outlets is quick and easy due to the inbuilt automatic diverter valve.

PRODUCT NUMBER

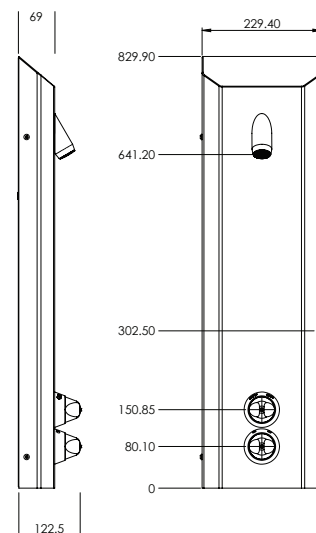
SH01-013

TECHNICAL DATA

Material	316 Stainless Steel
Surface finish	Brushed
Gross weight	15kg
Type of operation	Manual knob controls
Type of mounting	Wall mounted
Type of mixing	Requires TMV3 on hot supply
Failsafe close	Yes
Water connection	15mm bottom entry
Minimum flow pressure	1.00 bar
Run time	30 seconds (-10 secs or +5 secs)

FEATURES

- Tamper proof
- Ligature resistant controls
- High impact resistance
- Robust 1.5mm (Front) & 2mm (Back) 316 Stainless Steel construction
- Detachable hose and handset
- Auto Switch over when hose and handset are not attached
- Pre-plumbed rigid copper pipework



Last updated:
2020-03-03, Dart Valley Systems