

ANTI-MICROBIAL ABS SHOWER HEAD

With Anti-Microbial One-Piece Outlet

SH07-091

Injection moulded Anti-Microbial ABS Shower Head with Biomaster silver ion technology. These strong, durable and ligature resistant heads also feature a one-piece Anti-Microbial ABS outlet.



PRODUCT NUMBER

SH07-091

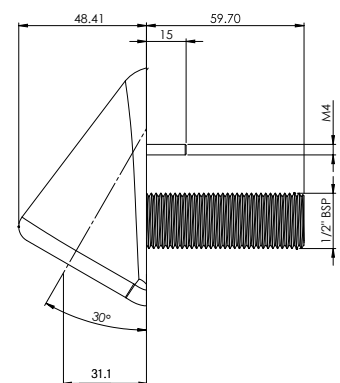
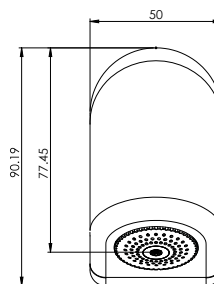
TECHNICAL DATA

SHOWER HEAD

Type	Spray shower head
Material	Anti-Microbial ABS
Surface finish	Chrome
Gross weight	0.067kg
Operation type	Separate sensor
Type of mounting	Wall mounted 1/2" BSP thread (longer threads available)
Type of mixing	Additional TMV required
Spout projection	31.1 mm
Minimum flow pressure	1 BAR
Water connection	Copper pipe via standard compression fitting
Other features	Security locking screw

SHOWER HEAD OUTLET

Material	ABS
Rose type	4 piece set supplied
Hole diameter	Set Includes: 0.7, 0.8, 0.9, & 1.0mm hole size variants
Number of holes	72



ALL DIMENSIONS IN MM

Last updated:
2018-08-15, Dart Valley Systems