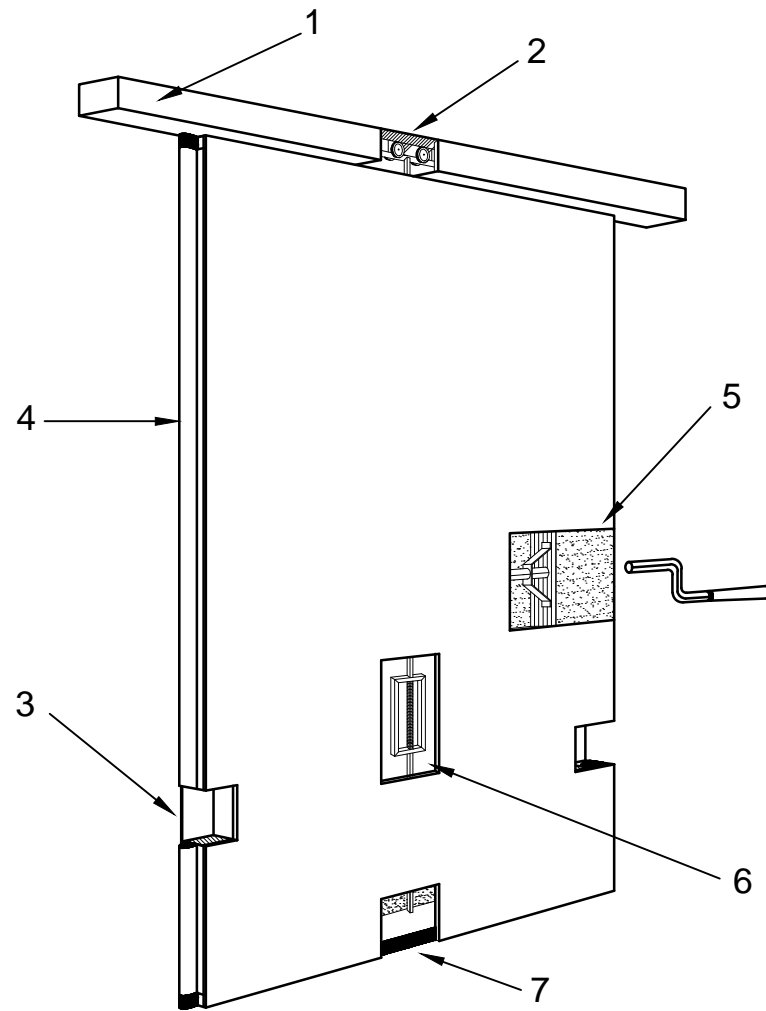
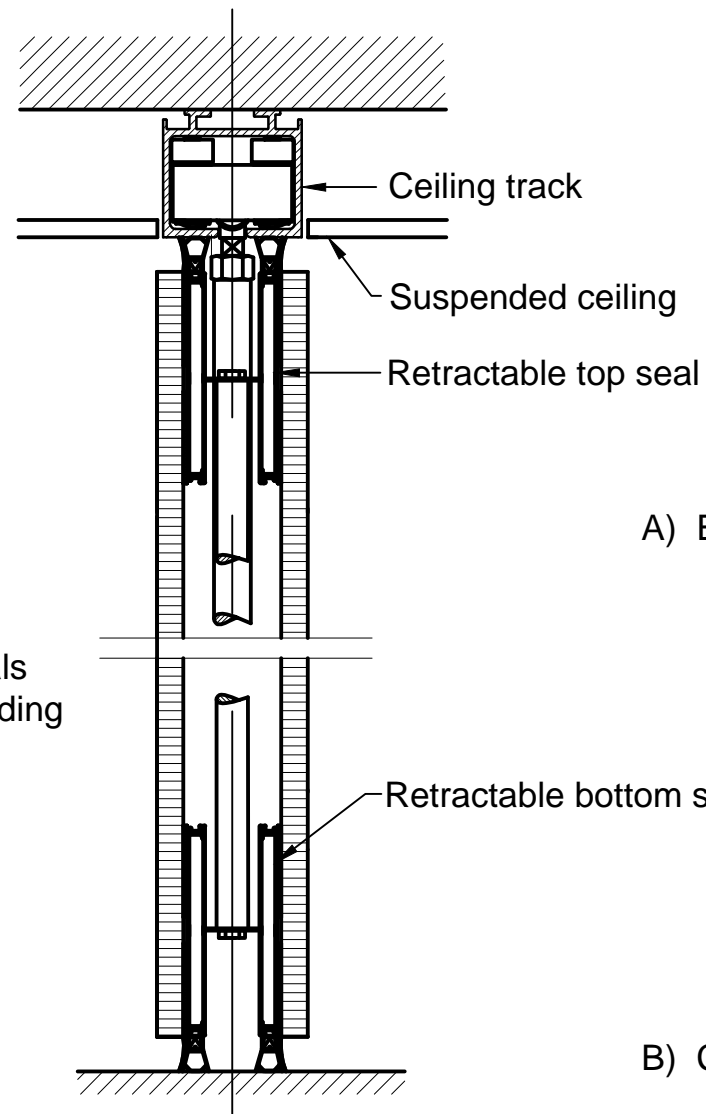


PANEL DETAILS - TYPE 100

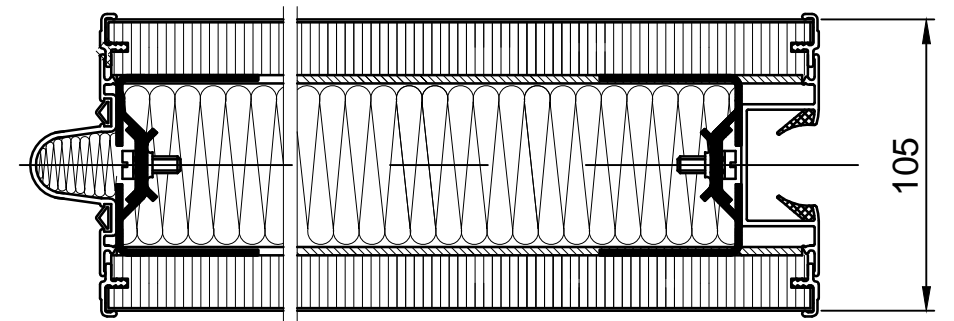


1. STANDARD PANEL (NE) TYPE 100M

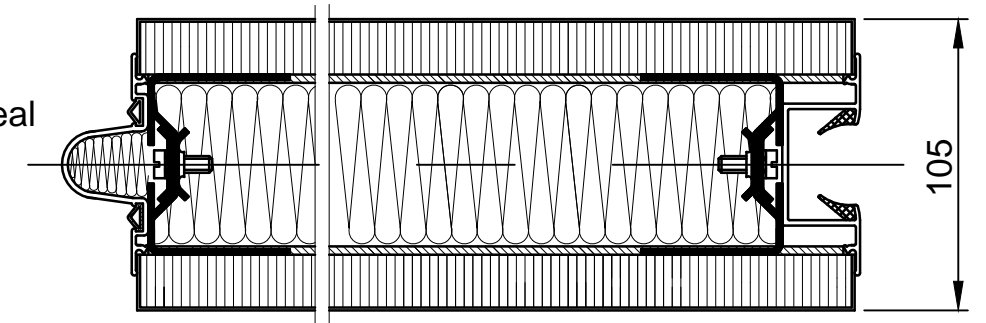
- 1. Ceiling Track
- 2. Trolley
- 3. Frame
- 4. Edge Profiles
- 5. Sealing Mech.
- 6. Sealing Spring
- 7. Top & Bottom Retractable Seals
- 8. Removable Winding Handle



2. VERTICAL SECTION THROUGH STANDARD PANEL (NE)

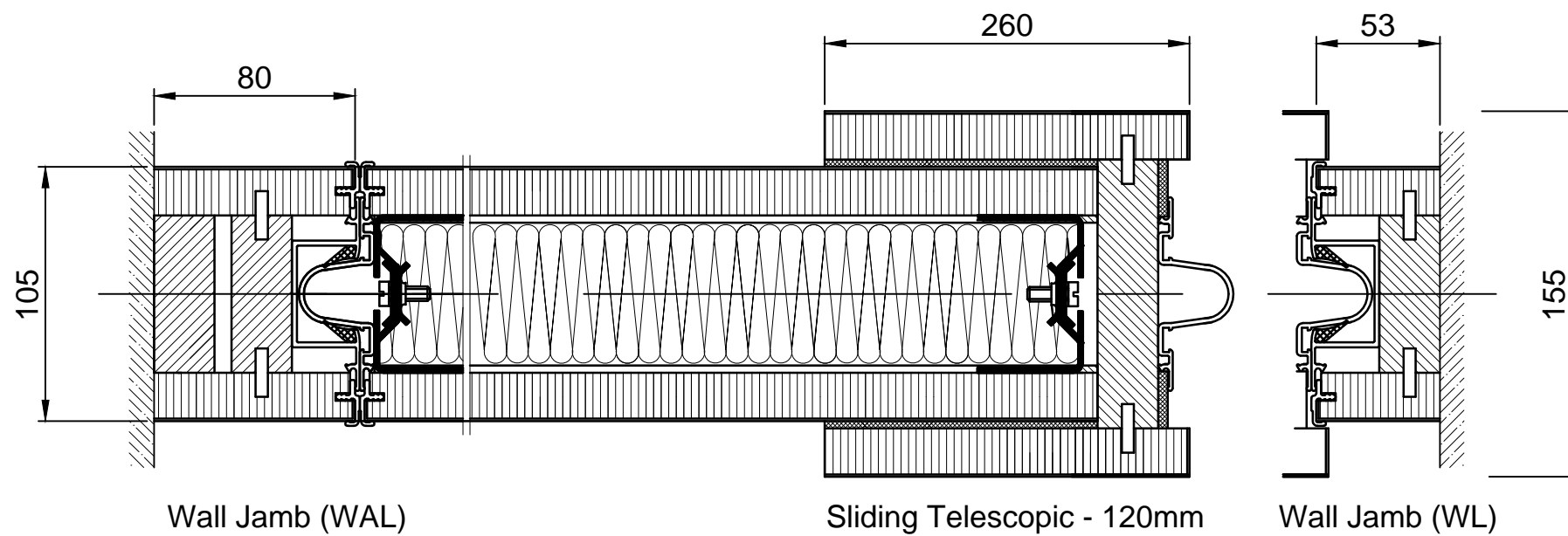


A) Exposed edge protection profile



B) Concealed edge profile

3. HORIZONTAL SECTION THROUGH STANDARD PANEL (NE)



4. HORIZONTAL SECTION THROUGH TELESCOPIC PANEL (TE) AND WALL JAMBS (WL + WAL)



LONDON WALL
London Wall Design Ltd

Tel : +44 (0) 20 8391 8750
www.londonwall.co.uk
 E-Mail : Sales@londonwall.co.uk

DRG. NO.: SL - 103