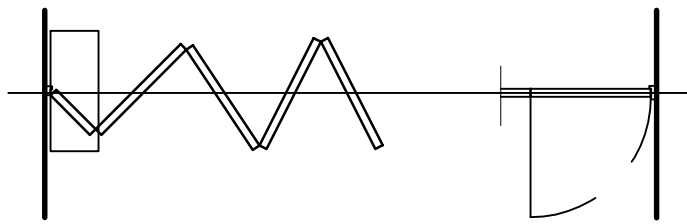
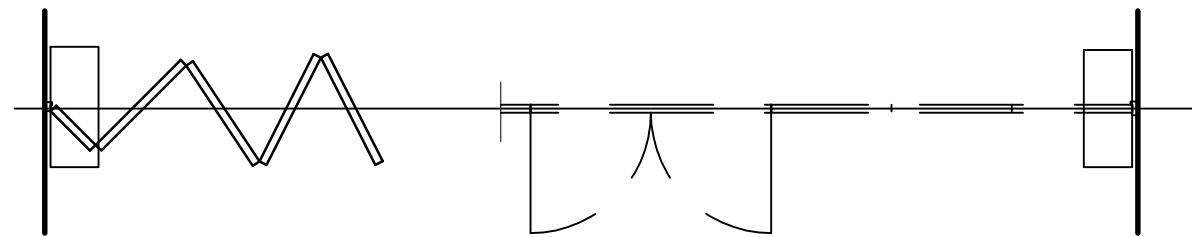


PRODUCT OPTIONS - TYPE 200 TOP HUNG

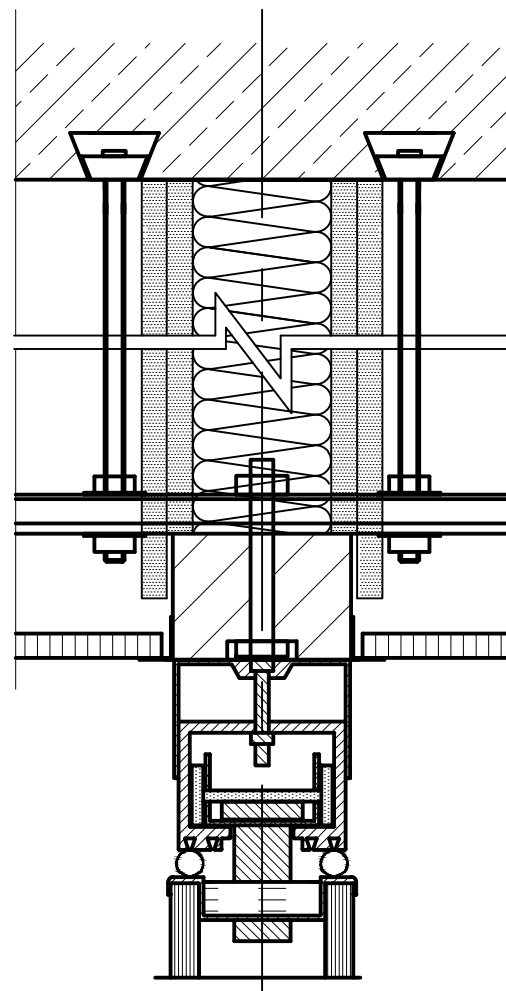


1. CENTRE FOLD - SINGLE.

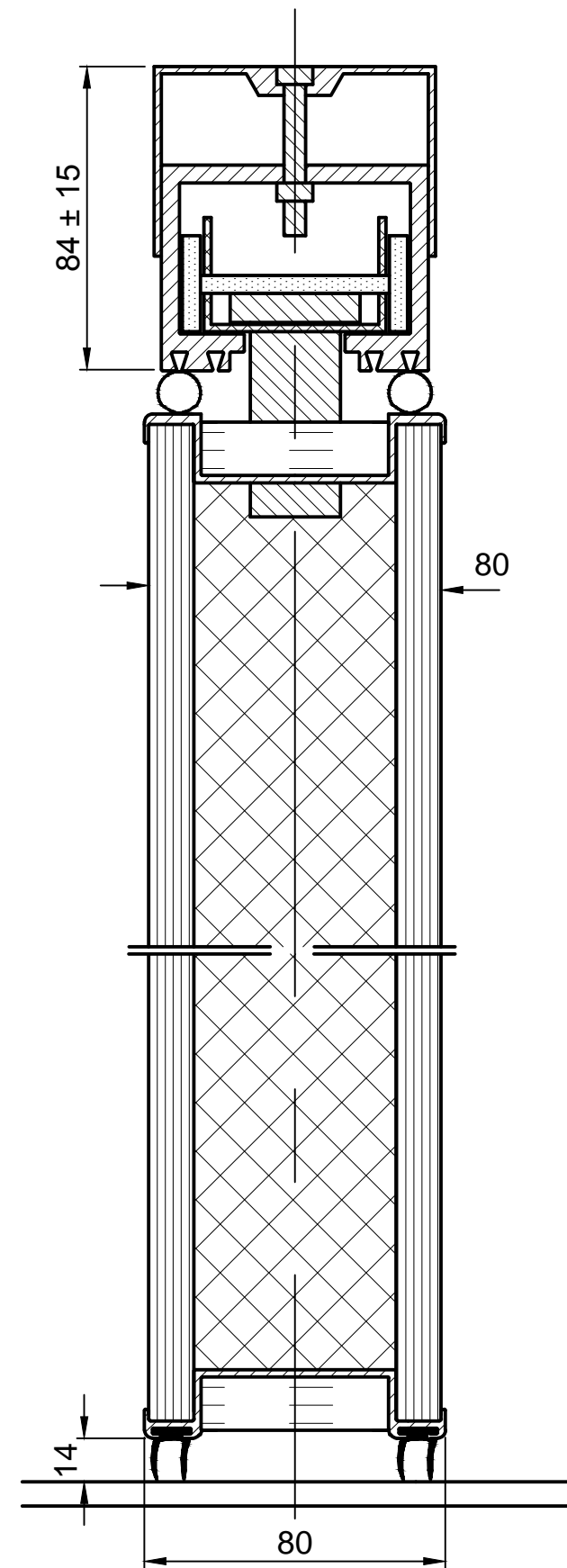


2. CENTRE FOLD - BI-PARTING

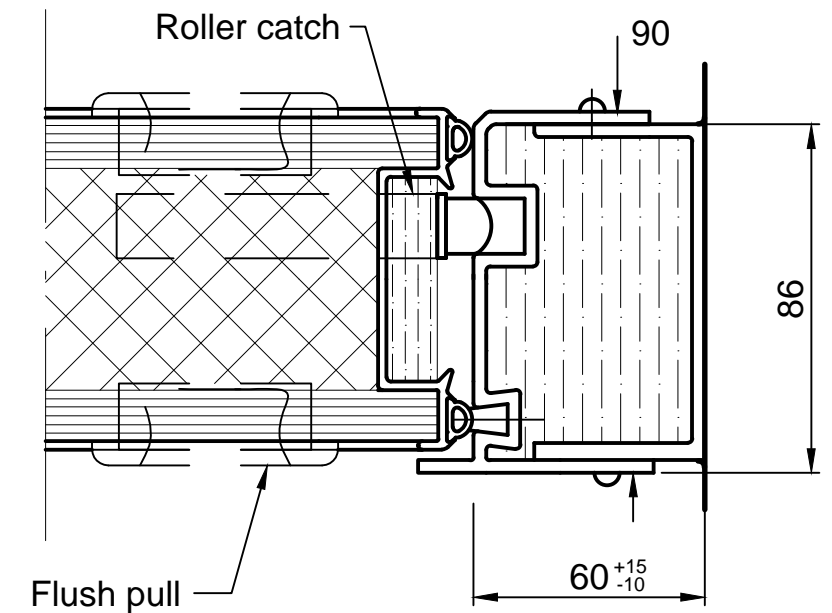
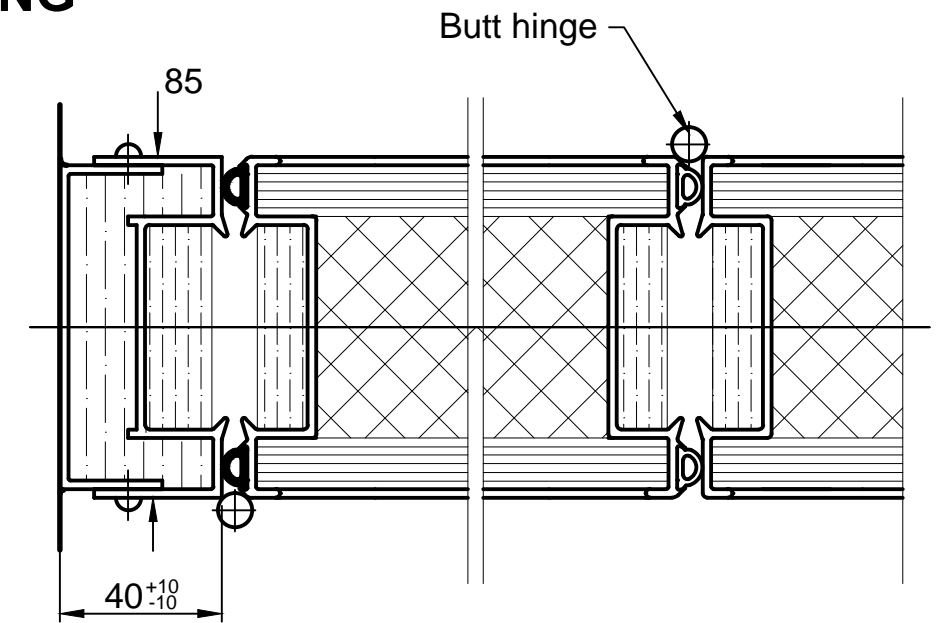
LAYOUT TYPES



TYPICAL HEAD TRACK FIXING DETAIL



VERTICAL SECTION



HORIZONTAL SECTION - WALL JAMB



LONDON WALL
 London Wall Design Ltd
 Tel : +44 (0) 20 8391 8750
 www.londonwall.co.uk
 E-Mail : Sales@londonwall.co.uk
 DRG. NO.: SL - 203