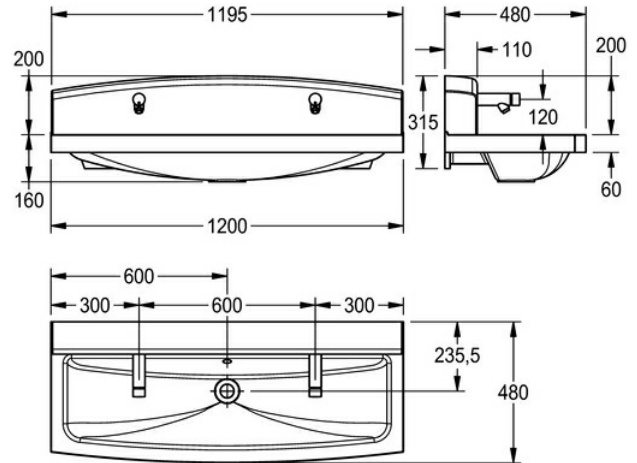


WASH TROUGH: SOLX1200SBM

SOLX1200SBM | 2030010659

PRODUCT GROUP : Wash basins | ARTICLE FAMILY : Wash troughs | ARTICLE GROUP : SOLX1200 ++



Washtrough made from Miranit resin bonded mineral material, with an alpine white gelcoat surface finish that's smooth, pore-free and temperature resistant up to 80°C. Washtroughs include a 32mm waste kit with overflow. Available with or without splashback, there is also a choice of either self-closing or electronic, touch free taps.

CE Certified

2 Person washtrough and tap landing, supplied with manual self closing mixer taps waste and overflow.
Colour: Alpine white.

2 wash places dimensions: 1200 x 480 x 170mm

TECHNICAL DATA

gross weight	50.00 kg
material	mineral material
material code	Miranit
net weight	48.00 kg
number of waste holes	1
overall depth	480.00 mm
overall height	360.00 mm
overall width	1,200.00 mm
rear upstand	no
splash back	yes
number of tap holes	2
tap ledge	no
type of mounting	wall mounting
number of wash places	2
waste hole position	centre back
waste hole projection	235.50 mm
waste kit included	yes
waste size	DN 32

WASH TROUGH: SOLX1200SBM

SOLX1200SBM | 2030010659

PRODUCT GROUP : **Wash basins** | ARTICLE FAMILY : **Wash troughs** | ARTICLE GROUP : **SOLX1200 ++**

SPARE PART



**SELF-CLOSING BIB TAP:
AQUA205W**

2000065911
