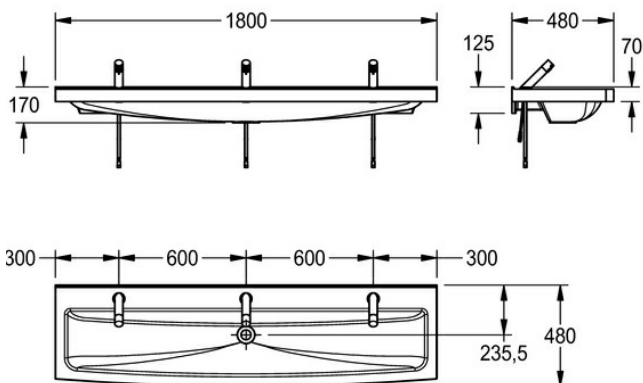


WASHTROUGH: SOLX1800E

SOLX1800E | 2030010654

PRODUCT GROUP : Wash basins | ARTICLE FAMILY : Wash troughs | ARTICLE GROUP : SOLX1800++



Washtrough made from Miranit resin bonded mineral material, with an alpine white gelcoat surface finish that's smooth, pore-free and temperature resistant up to 80°C. Washtroughs include a 32mm waste kit with overflow. Available with or without splashback, there is also a choice of either self-closing or electronic, touch free taps.

CE Certified

3 Person washtrough and tap landing, supplied with electronic touch free taps waste and overflow.
Colour: Alpine white.

3 wash places dimensions: 1800 x 480 x 170mm

TECHNICAL DATA

| | |
|-----------------------|------------------|
| gross weight | 50.00 kg |
| material | mineral material |
| material code | Miranit |
| net weight | 48.00 kg |
| number of waste holes | 1 |
| overall depth | 480.00 mm |
| overall height | 170.00 mm |
| overall width | 1,800.00 mm |
| rear upstand | no |
| splash back | optional |
| number of tap holes | 3 |
| tap ledge | yes |
| type of mounting | wall mounting |
| number of wash places | 3 |
| waste hole position | centre back |
| waste hole projection | 235.50 mm |
| waste kit included | yes |
| waste size | DN 32 |