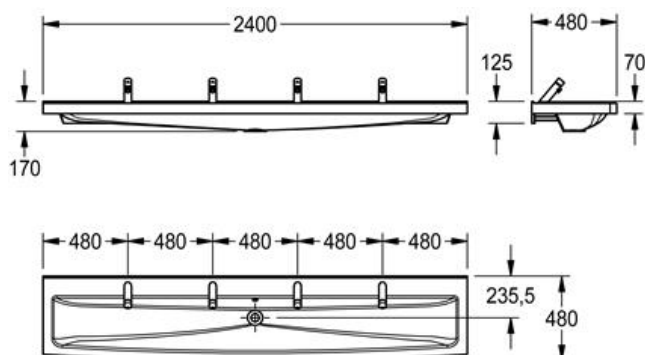


WASHTROUGH: SOLX2400M

SOLX2400M | 2030024851

ARTICLE GROUP : **SOLX2400 ++** | ARTICLE FAMILY : **Wash troughs** | PRODUCT GROUP : **Wash basins** | MODEL RANGE : **MIRANIT**



Miranit resin-bonded mineral material with smooth, pore-free surface (temperature resistant up to 80°C). Integral tap deck with integrated brackets and holes for fixing, mounting material, (hanger bolts and dowels), waste kit and mounting template included. No Tap holes (tap drill points marked underneath) with overflow, colour: Alpine white.

4 Person washtrough and tap landing, supplied with manual self closing mixer taps, waste and overflow.
Colour: Alpine white. 4 wash places dimensions: 2400 x 480 x 170mm

TECHNICAL DATA

gross weight	72.00 kg
net weight	72.00 kg
material	mineral material
material code	Miranit
number of waste holes	1
overall depth	480.00 mm
overall height	170.00 mm
overall width	2,400.00 mm
rear upstand	no
splash back	no
number of tap holes	4
tap ledge	yes
type of mounting	wall mounting
number of wash places	4
waste hole position	centre back
waste hole projection	235.50 mm
waste kit included	yes
waste size	DN 32

WASH TROUGH: SOLX2400M

SOLX2400M | 2030024851

ARTICLE GROUP : **SOLX2400 ++** | ARTICLE FAMILY : **Wash troughs** | PRODUCT GROUP : **Wash basins** | MODEL RANGE : **MIRANIT**

SPARE PART



**SELF-CLOSING PILLAR
TAP: AQUA201W**

2000061909
