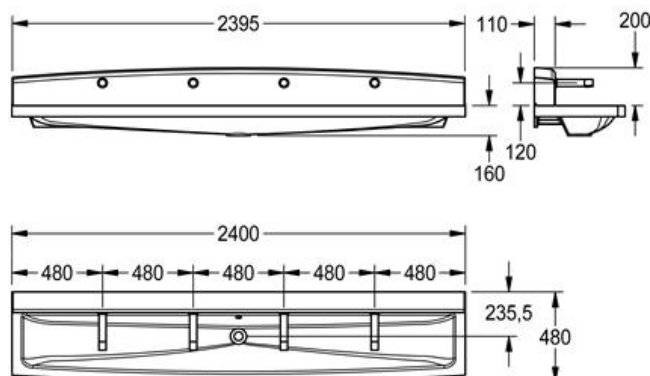


WASHTROUGH: SOLX2400SBE

SOLX2400SBE | 2030024868

ARTICLE GROUP : **SOLX2400 ++** | ARTICLE FAMILY : **Wash troughs** | PRODUCT GROUP : **Wash basins** | MODEL RANGE : **MIRANIT**



Miranit resin-bonded mineral material with smooth, pore-free surface (temperature resistant up to 80°C). Integral tap deck with integrated brackets and holes for fixing, mounting material, (hanger bolts and dowels), waste kit and mounting template included. No Tap holes (tap drill points marked underneath) with overflow, colour: Alpine white.

TECHNICAL DATA

gross weight	99.00 kg
net weight	99.00 kg
material	mineral material
material code	Miranit
number of waste holes	1
overall depth	480.00 mm
overall height	360.00 mm
overall width	2,400.00 mm
rear upstand	yes
splash back	yes
number of tap holes	4
tap ledge	no
type of mounting	wall mounting
number of wash places	4
waste hole position	centre back
waste hole projection	235.50 mm
waste kit included	yes
waste size	DN 32