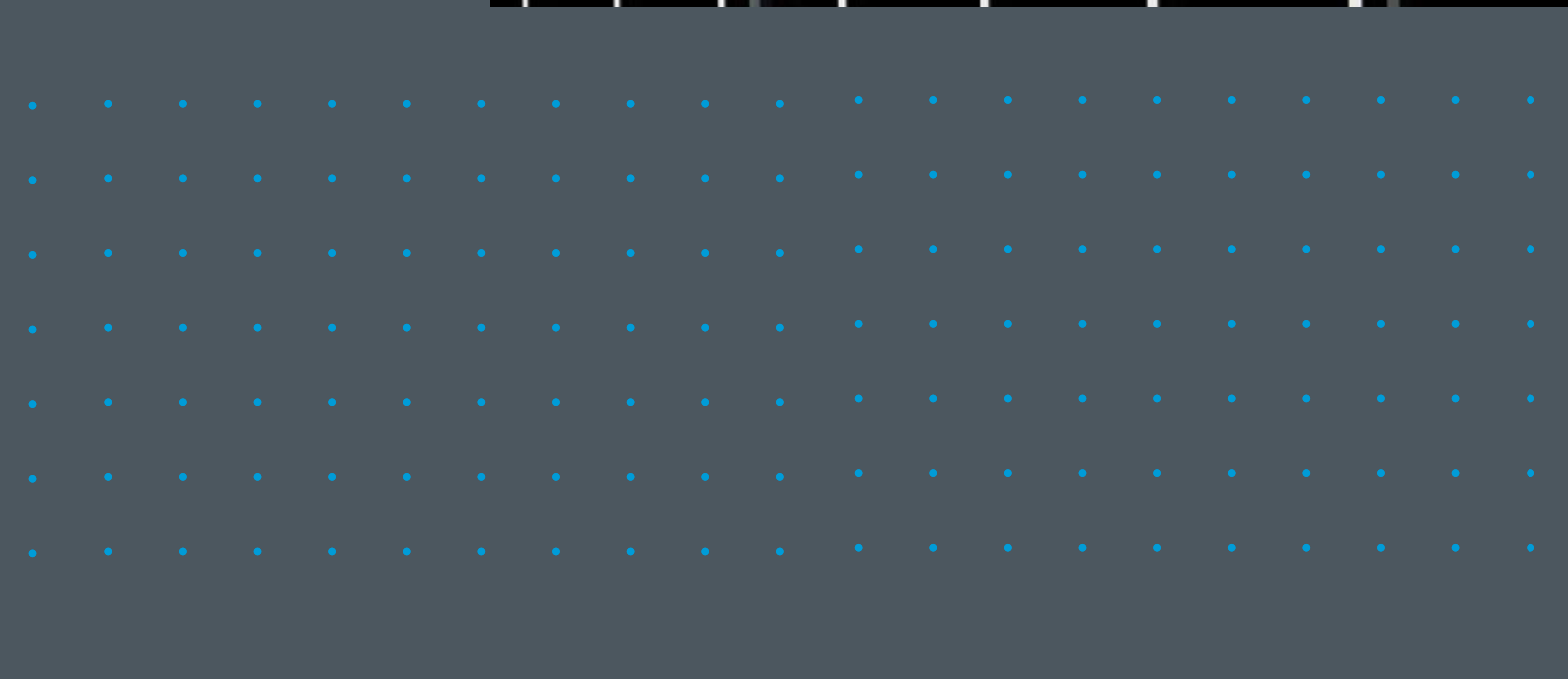
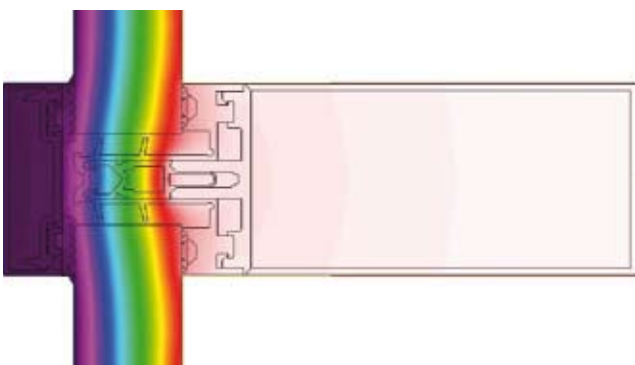


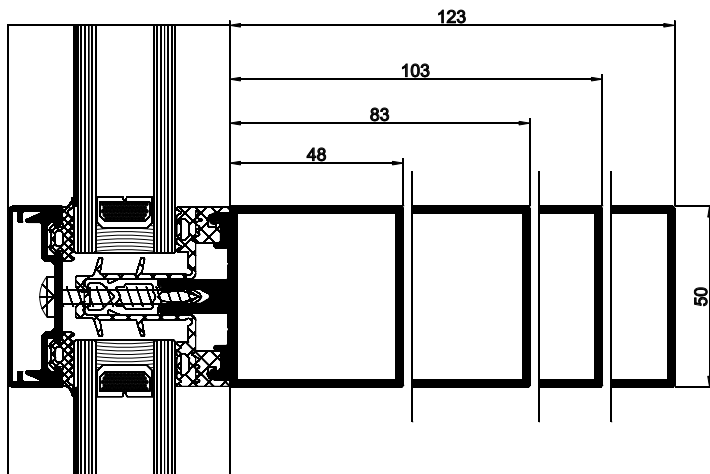
Schüco Façade TTC 50



Low rise façade system



Uf value 1.64 Wm²/K



Four mullion/transom profiles

The System

The Schüco TTC 50 low-rise aluminium façade system is a new development from Schüco.

Without compromising on quality, the Schüco TTC 50 system achieves excellent U values (typical frame value 1.64 Wm²/K) while being price-competitive enough to satisfy the widest range of projects up to three storeys in height. So even when budgets are at their tightest, there is now a Schüco system to provide a complete solution.

With its 50 mm face width, the Schüco TTC 50 system offers slim sightlines and is ideally suited for applications in education, healthcare and local authority sectors, shopping malls, showrooms and small office developments. Four main profiles with box depths of 48 mm, 83 mm, 103 mm and 123 mm are available.

Fabrication

Fabrication is fast and easy thanks to 90° straight-cut profiles that do away with the need to notch transoms; joint strength is assured by means of an aluminium cleat profile. Stock-holding levels can also be reduced since the same profile is used for both mullions and transoms.

EPDM Gaskets

A particular feature of the Schüco TTC 50 system is its multi-function EPDM gasket design. This acts as a glazing gasket and also forms a drainage channel, maintaining the overlap-drainage principle at mullion/transom intersections. Other benefits include shorter fabrication times.

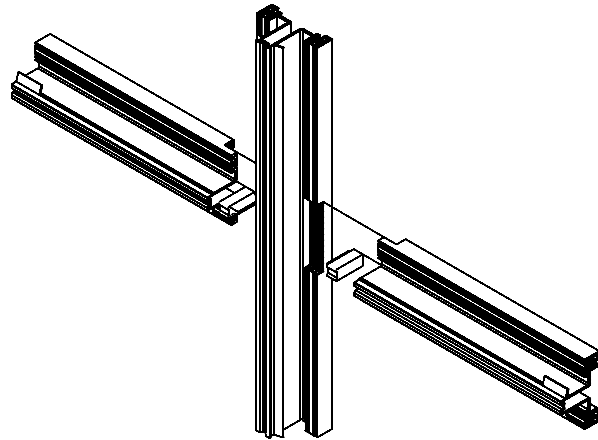
A tear-off strip on the EPDM profile allows for push-in gaskets to be inserted where in-fills of different thickness adjoin. This means that glazing and panels varying in width from 8 mm to 46 mm can be accommodated.

Because of its exceptional durability, EPDM is used for all gaskets and seals to ensure weather tight joints. There is a wide choice of flat and shaped cover cap options.

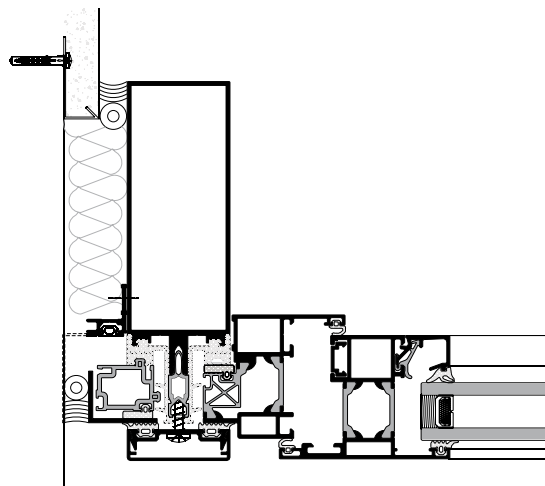
The Schüco TTC 50 system accepts a range of inward and outward opening window inserts, together with swing, rebated and anti-finger-trap doors with or without thermally insulated frames.

Benefits:

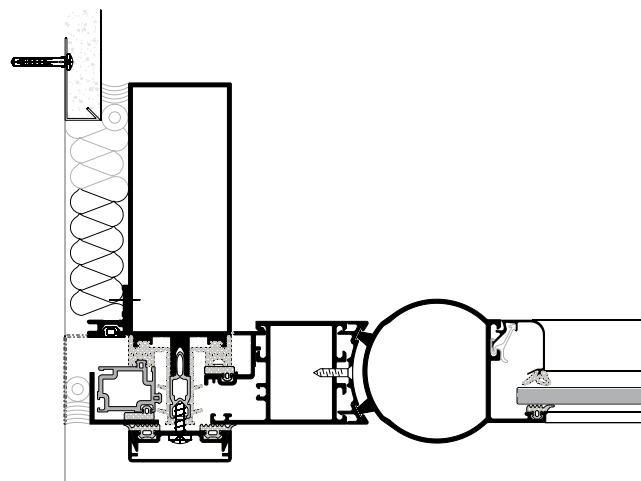
- Competitively priced, high-quality system
- Elegant slim-line appearance
- Excellent insulation values
- Quick and simple fabrication
- Reduced aluminium profile stock holding requirement
- Multi-function EPDM profile
- 8 mm – 46 mm glazing and panels accepted
- Multiple cover cap options
- Wide range of window inserts and doors.



Gaskets designed for overlapping drainage principle



Schüco AWS 60
Outward opening window insert
Scale 1:3



Schüco ADS 50.NI
Door with anti-finger-trap jamb
Scale 1:3

Schüco – the address for windows and solar products.

As the leading innovator in system-based construction, Schüco supplies components for the whole building envelope, including specialised software solutions for design, construction, calculation and fabrication.

■ Aluminium systems

■ Steel systems

■ Solar products

■ Schüco Design



Lliswerry School,
Newport.

Schüco International

Whitehall Avenue Kingston

Milton Keynes MK10 0AL

Telephone: 01908 282111 Fax: 01908 282124

www.schueco.co.uk

Email: mkinfofox@schueco.com



All aluminium, steel, PVC-U and solar products developed by Schüco are characterised by their high level of structural reliability and superior quality. The pursuit of perfection, teamwork and a dynamic organisation ensure success. The corporate partnership with Team McLaren Mercedes is a commitment that symbolises the leading position of Schüco International.