



SUSTAINABLE  
BUILDINGS SYSTEMS

# SCOOT4 Scooter Rack

Simple Secure Scooter Parking

## SCOOT4 Scooter Rack

### Product Details and Specification

#### Overview:

SCOOT4 the secure, effective, fit and forget parking for all types of scooter.

#### Product Description:

SCOOT4's robust stainless steel frame design allows for 'drop in' style of loading variable wheel diameter, two and three wheel scooters. Parked scooters are held secure and separate from each other and easily locked onto the frame. Nice and Tidy.

#### Features:

- 7 universal parking bays per standard unit
- Stainless Steel construction
- Accepts 2 and 3 wheel scooters

#### Benefits:

- Designed and Built in the UK
- easily expanded simple DIY installation
- long life building system with a 20 year design life\*
- 4r compliant (Relocate Renovate Reuse Relocate)
- Minimal maintenance
- Space efficient - compact foot print  
(\*terms & conditions apply)

#### Options:

- Wide palette of frame colours available. (POA)

#### Materials & Finishing:

Frame: Stainless Steel (Grade 304)  
Finish: Satin



#### Product Dimensions:

Overall (standalone standard module)

- width 1295 x depth 611 x height 682mm

Space Requirements (with scooters loaded)

- width 1335 x depth 1000 x height 1250mm

#### Warranty:

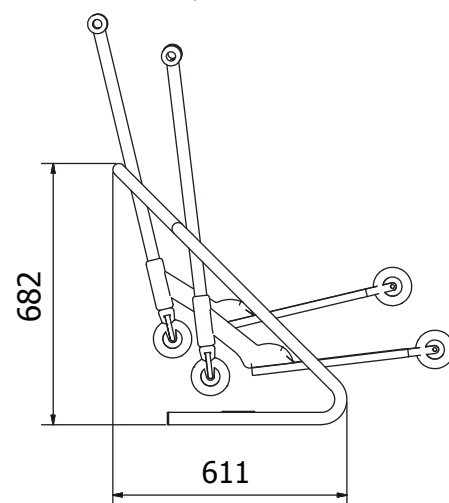
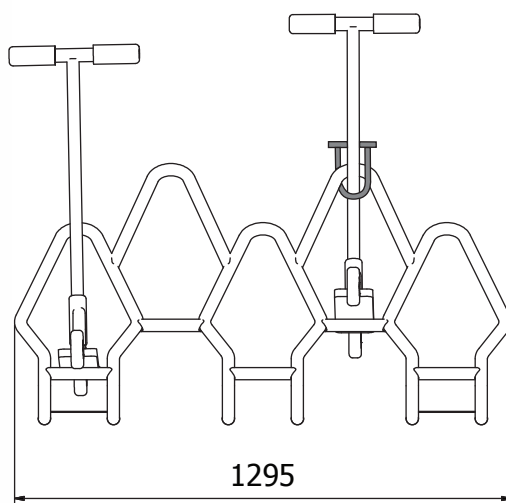
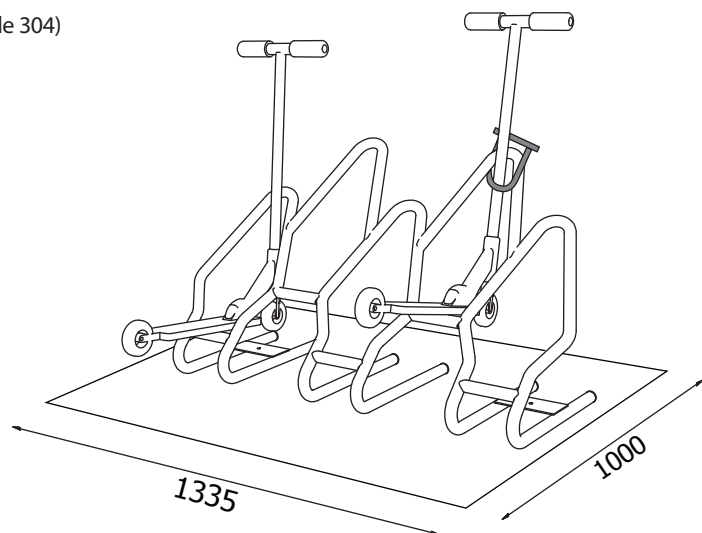
48 month Warranty (terms and conditions apply)

#### Environmental Info:

4r compliant (Relocate Renovate Reuse Recycle)  
Manufactured and assembled in the UK.

#### Installation:

Installation may be undertaken by a suitably qualified competent person.



Address:  
The Big Barn  
14 Greengate Road  
Wedhampton  
Devizes  
Wiltshire  
SN10 3QB

Contact:  
01380 840 819  
team@hbdesigns.co.uk  
[www.hbdesigns.co.uk](http://www.hbdesigns.co.uk)