

# EcoWatt (U)

## Energy friendly H.W.S circulator

Extremely low energy consumption from 3 to 9 Watt. Models available, with and without timer. Can be adjusted to desired duty. Extremely quiet due to small tolerances in the self adjusting bearings. Easy mounting and electrical connection. Easy replacement of motor head. Short port to port dimension, fits everywhere - 1/2" connection. Thermal overload built into the motor and external protection not required. Separate check valve included.

## Application

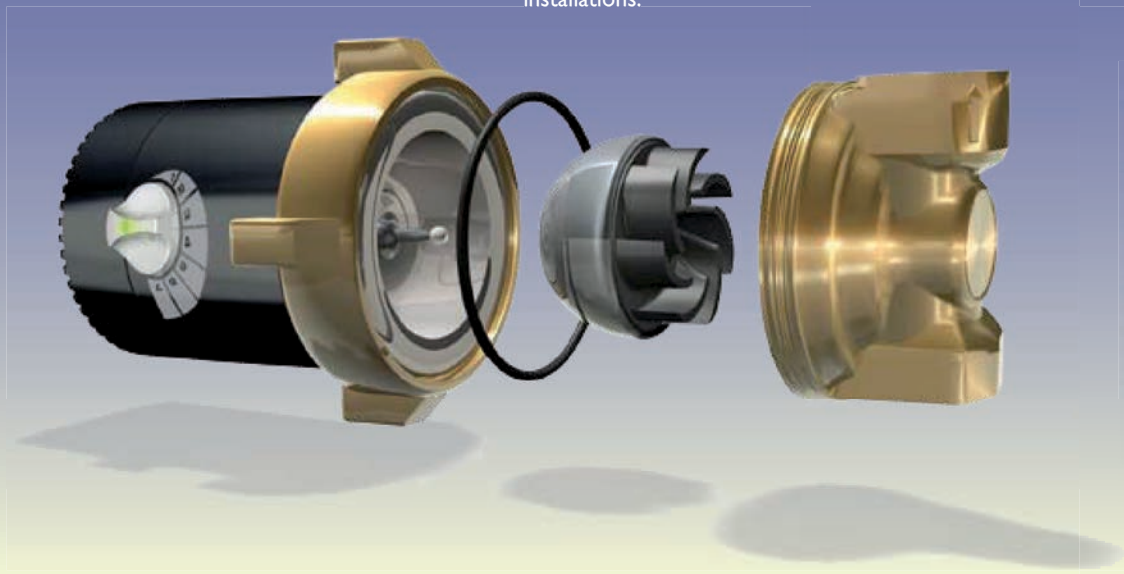
The EcoWatt circulating pumps are designed for use in D.H.W.S. systems, to circulate the hot water. The pump is mounted in the circulation circuit to ensure hot water is always available at the point of use. The EcoWatt can also be used as circulator in smaller heating installations, floor heating, heat pump and solar heating installations as well as cold water installations.



Model	Part Number	VVS Nr.	Length (mm)	Check Valve	TimeClock	Connections
EcoWatt	9201286251	380310010	65	✓	✗	AV 1/2" x 1/2"
EcoWatt (U)	9201286252	380311010		✓		

## Technical Information

1x230 V, 50Hz, IEC38	
Motor type:	Permanent Magnet Motor
Energy Consumption	3-9 Watt
Max Pressure	10 Bar
Temperature	-10°C to +110°C
IP Rating	IP44/F



Smedegaard Pumps Ltd  
United Kingdom  
Tel. +44 (0)1278 458 686  
Fax +44 (0)1278 452 454  
info@smedegaard.co.uk  
www.smedegaard.co.uk

T. Smedegaard A/S  
Denmark  
Tel. +45 43 96 10 28  
Fax +45 43 63 17 66  
info@smedegaard.dk  
www.smedegaard.dk

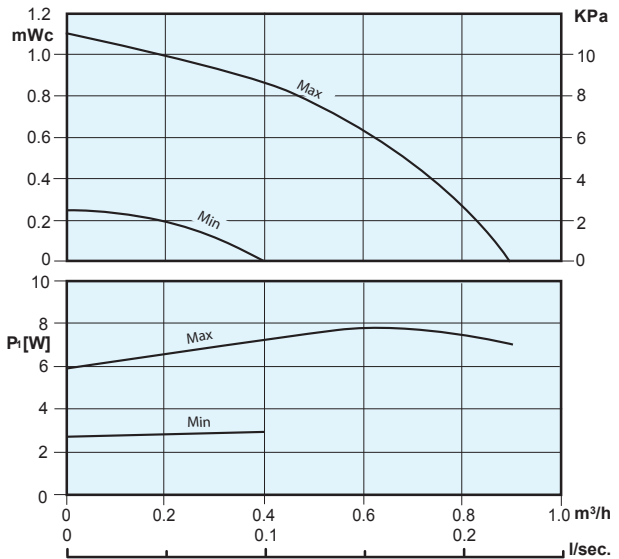
**SMEDEGAARD**  
Pumping Technology

# EcoWatt (U)

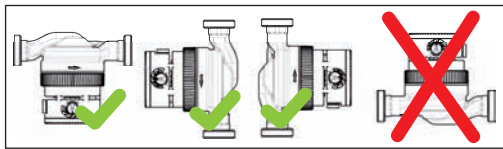
I x 230 V, 50 Hz, IEC38	PI [W]
Auto Min	3
Auto Max	9

TFI 10 CEN 335 - 2 - 5 I		
Water Temp. Range	-10°C	110°C
Kg. (net)	1.0	

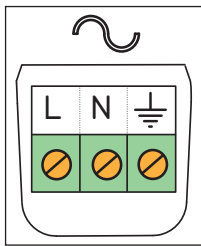
Dimensions	A	B	C	DN
EcoWatt	-	-	-	15
EcoWatt (U)	110	163	150	15



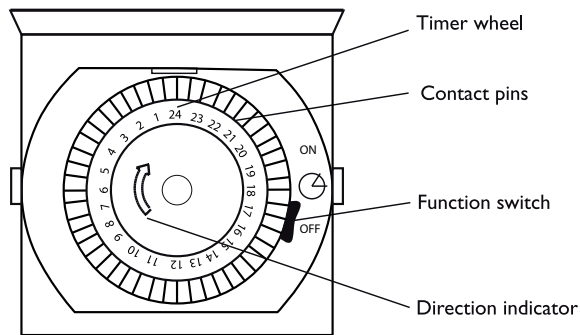
## Installation



## Electrical Connections

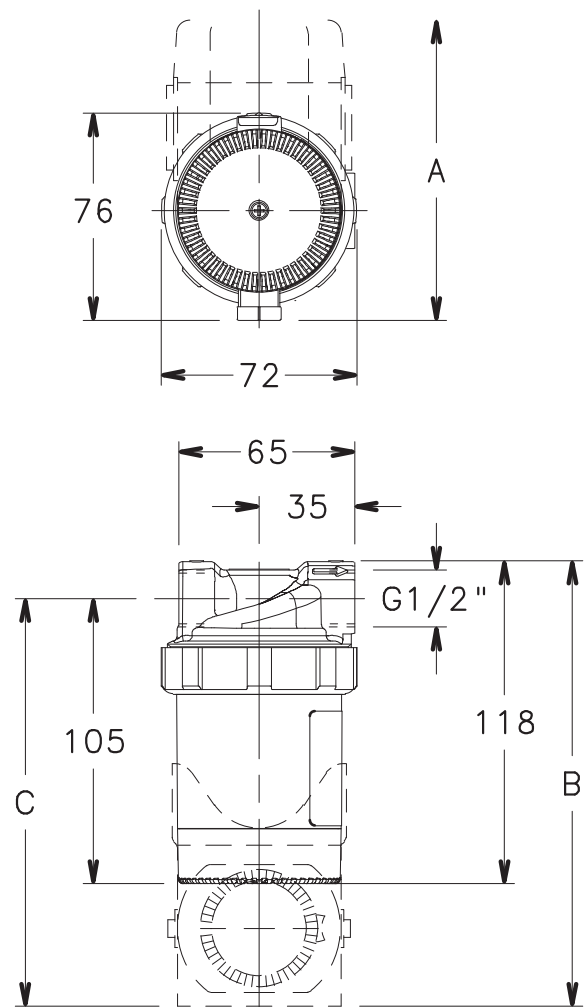


## Timer



EcoWatt

EcoWatt (U)



It is Smedegaard's policy to continually improve and develop its product range. We reserve the right to change specifications without prior notice. Whilst every care has been taken to ensure the data is correct, no responsibility can be taken for inaccuracies or misprints.