

HYDROBOOST

BREAK TANK PACKAGED BOOSTER SETS

FLUID CATEGORY 5 COMPLIANT



reliable **efficient** **quality**

SMEDEGARD
Pumping Technology

HydroBoost Packaged Booster Sets

The HydroBoost is part of Smedegaard's wide range of variable and fixed speed break tank packaged booster sets. The Units combine a high performance cold water booster set and break tank in a very small space, whilst at the same time providing ease of operation and maintenance. The design of the package provides AB Air Gap protection for fluid Category 5 protection complying with BSEN13077:2003.

Primarily designed for back-flow protection each model in the HydroBoost range consists of a single pump and break tank fully packaged on a common base plate. The pump is of stainless steel construction and is factory fitted with a SmartPress controller to start the pump on falling pressure and stop it on no flow. The break tank is constructed from tough and durable WRAS approved materials and is fitted with a high quality WRAS approved inlet valve. The break tank is designed to limit air ingress into the pump due to water turbulence.

Equipment Details

Pump

End suction stainless steel pump. Single phase 2900 rpm motor.

Pump Control

Suitable for up to 10 bar working pressure. In-built diaphragm chamber. 3 choices of pre-set cut in pressures of 1.5, 2.0 and 2.5 bar. Pump shuts off on no flow.

Power supply

Single phase - 230/1/50.

Duties - Mid Curve

HB-85/25 30 l/min at 2.5 bar (3.8 amp FLC).

HB-85/35 30 l/min at 3.5 bar (5.8 amp FLC).

HB-210/25 30 l/min at 2.5 bar (3.8 amp FLC).

HB-210/35 30 l/min at 3.5 bar (5.8 amp FLC).

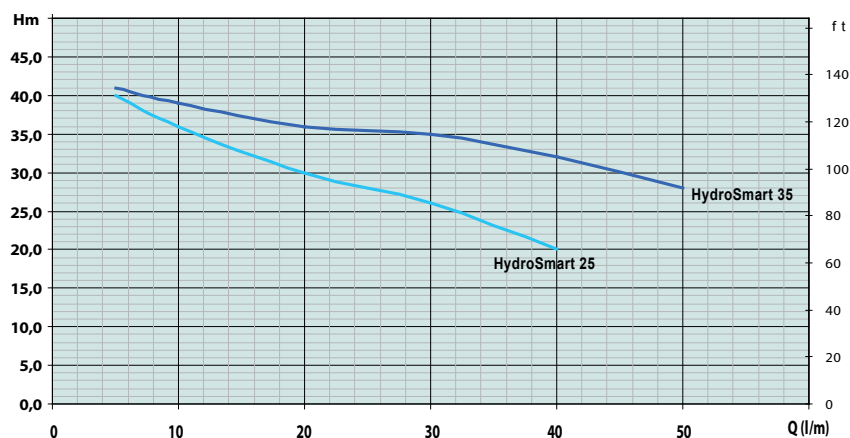
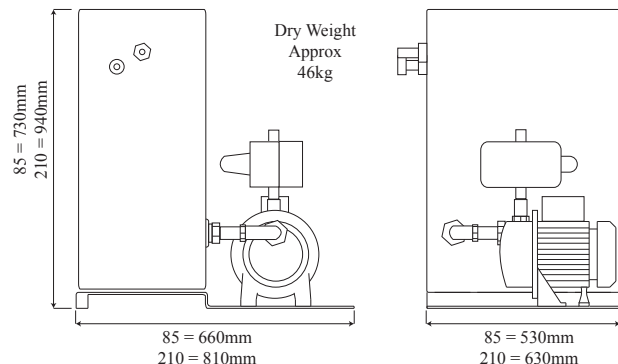
Features of the HydroBoost

- Small footprint
- Wall mounted or free standing
- Multiple choice pressure setting
- Status LED's
- Built in dry run protection
- Pump control vessel
- 210 Litre break tank
- Type AB Air Gap
- WRAS approved water inlet valve
- AV mounts

Optional Additional Items

- Flexible pipe connectors
- Wall mount kit
- Weatherproof housing (outside installation)
- Frost protection pack (with housing)
- Insulating jacket

HydroBoost Dimensions



It is Smedegaard's policy to continually improve and develop its product range. We reserve the right to change specifications without prior notice. Whilst every care has been taken to ensure the data is correct, no responsibility can be taken for inaccuracies or misprints.