

HYDROFLEX MONO BREAK TANK INVERTER CONTROLLED BOOSTER SETS

Fluid Category 5 Type AB Compliant

Part of the **BOOSTAFLEX** Family



A reliable **A** efficient **A** quality

SMEDEGARD

Pumping Technology

HydroFlexx Mono Inverter Controlled Booster Sets

The HydroFlexx Mono is part of Smedegaard's wide range of variable and fixed speed break tank packaged booster sets. The Units combine a high performance cold water booster set and break tank in a very small space, whilst at the same time providing ease of operation and maintenance. The design of the package provides AB Air Gap protection for fluid Category 5 protection complying with BSEN13077:2003.

Primarily designed for back-flow protection each model in the HydroFlexx Mono range consists of a single pump and break tank fully packaged on a common base plate. The pump is of stainless steel construction and is factory fitted with an inverter module to control water flow. The break tank is constructed from tough and durable WRAS approved materials and is fitted with a high quality WRAS approved inlet valve. The break tank is designed to limit air ingress into the pump due to water turbulence.

The HydroFlexx Mono booster systems have a user digital interface and incorporate electronic low water protection, electronic indication of high pressure, dry run protection, high/low voltage, over current, sensor error.

Equipment Details

Pump

End suction stainless steel pump. Single phase 2900 rpm motor. Suitable for up to 3 bar working pressure. In-built frequency controlled inverter.

Power supply

Single phase - 230/1/50.

Duties - Mid Curve

HFM-210 SQ50 60 l/min at 2.5 bar (0.75kW).

HFM-210 SQ80 90 l/min at 2.5 bar (1.1kW).

HFM-85 SQ50 60 l/min at 2.5 bar (0.75kW).

HFM-85 SQ80 90 l/min at 2.5 bar (1.1kW).

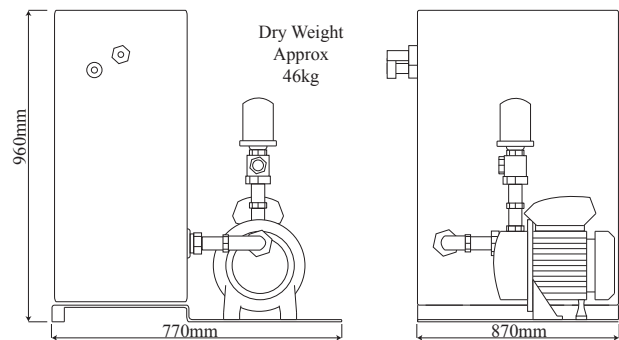
Features of the HydroFlexx Mono

- **Frequency inverter with digital display**
- **Small footprint**
- **Wall mounted or free standing**
- **Status LED's**
- **Built in dry run protection**
- **Pump control vessel**
- **210 or 85 Litre break tank**
- **Type AB Air Gap**
- **WRAS approved water inlet valve**
- **AV mounts**

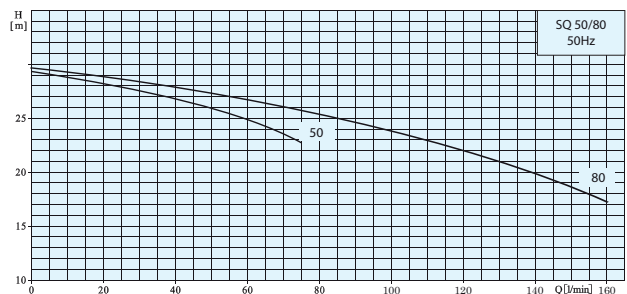
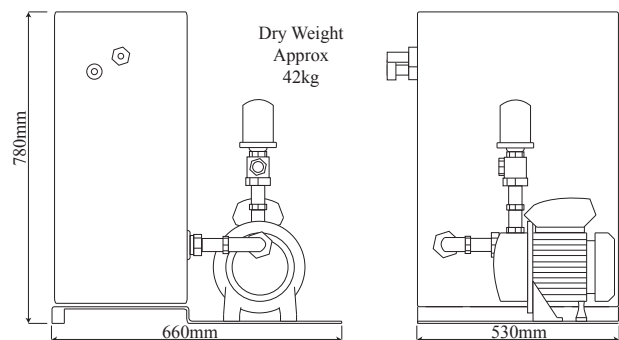
Optional Additional Items

- **Flexible pipe connectors**
- **Wall mount kit**
- **Weatherproof housing (outside installation)**
- **Frost protection pack (with housing)**
- **Insulating jacket**

HydroFlexx Mono-210 Dimensions



HydroFlexx Mono-85 Dimensions



It is Smedegaard's policy to continually improve and develop its product range. We reserve the right to change specifications without prior notice. Whilst every care has been taken to ensure the data is correct, no responsibility can be taken for inaccuracies or misprints.

SMEDEGARD

Pumping Technology

A KSB Company • **KSB**

Smedegaard Pumps Ltd
United Kingdom
Tel. +44 (0)1278 458 686
Fax +44 (0)1278 452 454
info@smedegaard.co.uk
www.smedegaard.co.uk

T. Smedegaard A/S
Denmark
Tel. +45 43 96 10 28
Fax +45 43 63 17 66
info@smedegaard.dk
www.smedegaard.dk