

COMPACT BOOSTER PUMP
HYDROSMART 25/35



A reliable **A** efficient **A** quality

SMEDEGARD
Pumping Technology

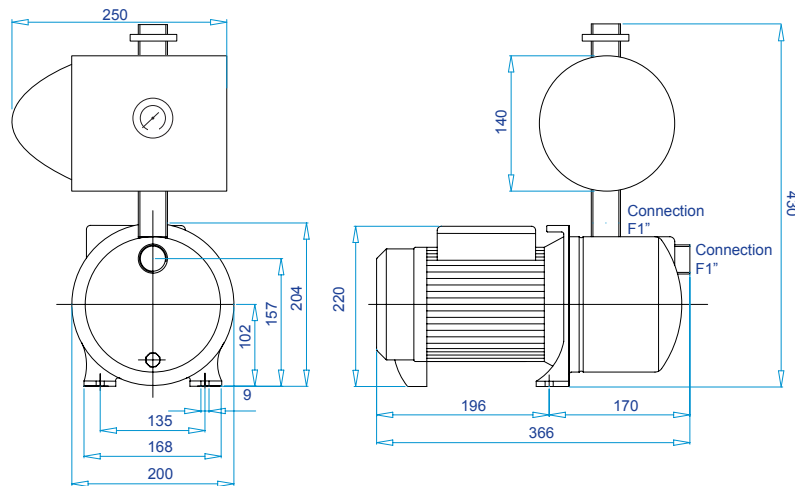
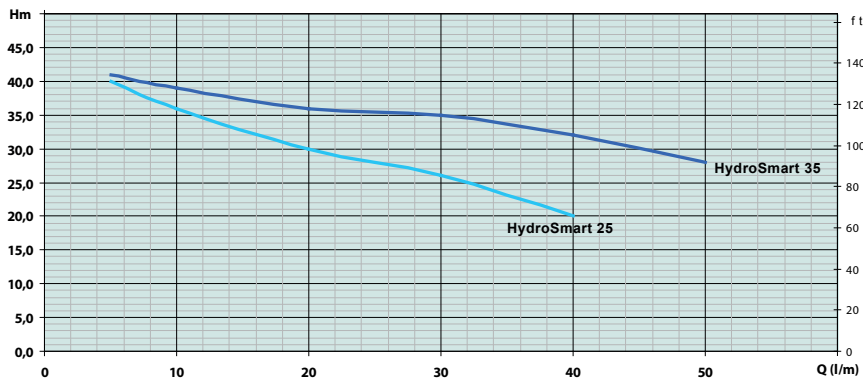
HydroSmart 25/35

The Smedegaard HydroSmart consists of two models both with stainless steel end suction self priming pumps. The two models in the range are the HydroSmart 25 with a mid curve duty of 30 litres per min at 2.5 bar and the HydroSmart 35 being 30 litres per min at 3.5 bar.

Both the HydroSmart 25 and 35 are extremely compact yet still able to give a flow and pressure suitable for a wide range of cold water supply applications such as home water boosting, light commercial wash down, horticultural use or water distribution.

The stainless steel pump body and polymer HydroSmart controller offer a high level of corrosion resistance to help to ensure a long and trouble free life.

Smedegaards' HydroSmart controller unit incorporates a pressure gauge, membrane vessel and check valve. Operation is simplicity itself: the pump starts on falling pressure and stops on falling flow.



Model	Hp (P2)	kW (P1)	A ~ 1 230V 50 Hz	A ~ 2 400V 50 Hz	μ F	Q l/min	0	5	10	20	30	40	50
						Qc m ³ /h	0	0.3	0.6	1.3	1.8	2.6	3
HydroSmart 25	0.80	0.81	3.8	1.4	12	H/m	47	40	36	30	26	20	-
						44	41	39	36	35	32	28	
HydroSmart 35	1.20	1.21	5.8	2.7	20	H/m	44	41	39	36	35	32	28
						44	41	39	36	35	32	28	

It is Smedegaard's policy to continually improve and develop its product range. We reserve the right to change specifications without prior notice. Whilst every care has been taken to ensure the data is correct, no responsibility can be taken for inaccuracies or misprints.

SMEDEGARD
Pumping Technology

A KSB Company • **KSB**

Smedegaard Pumps Ltd
United Kingdom
Tel. +44 (0)1278 458 686
Fax +44 (0)1278 452 454
info@smedegaard.co.uk
www.smedegaard.co.uk

T. Smedegaard A/S
Denmark
Tel. +45 43 96 10 28
Fax +45 43 63 17 66
info@smedegaard.dk
www.smedegaard.dk