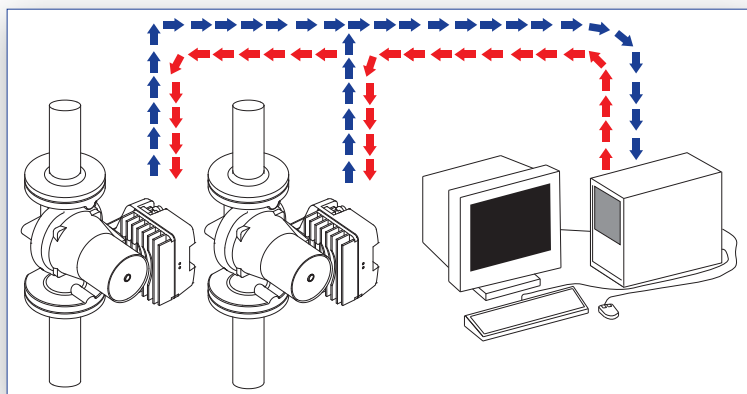


MODBUS INTERFACE for SIMFLEX A RANGE



- Fully Compatible with the Smedegaard SimFlex A ErP Compliant Pumps
- Monitoring/Control of up to 31 Pumps
- Also Compatible with LON
- Detailed Fault Detection
- External Stop/Start
- Allows Switching to Manual Control

MODBUS Interface for SimFlex A

Smedegaard is proud to offer, the industry standard MODBUS interface for use with the new range of Simflex A ErP Compliant pumps. The interface enables you to control and monitor the pumps at all times. The control and monitoring can be accomplished, either by using a MODBUS master or by using a dedicated BMS system, SCADA system, general purpose PLC or PC.

The MODBUS interface supports the control of differential pressure, speed control or can force a switch back to manual/external control via the usual interfaces that are supplied with the Simflex A ErP Compliant range of pumps. Additionally, the MODBUS interface has a detailed error detection facility.

In addition to MODBUS, the pump can also communicate, via a translation box with the industry standard LON.

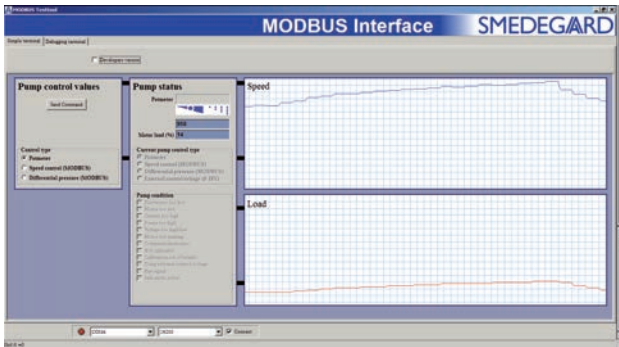
Minimum requirements:

Microsoft Windows XP Professional

USB 2.0 Port

1 GB RAM

USB to RS485 adaptor



Setup features through MODBUS

You can switch between modes with the MODBUS Interface

Differential Pressure	•
Speed	•
External Run Mode	•
Manual Run Mode	•
Setpoint	•

Pump Condition

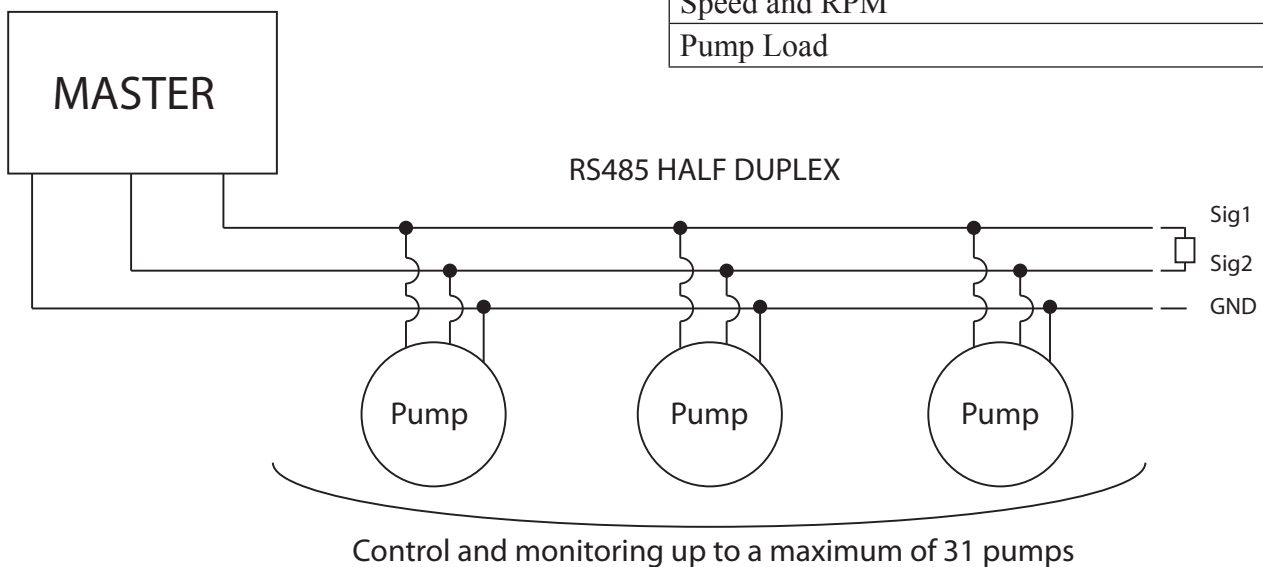
The MODBUS Interface will monitor and report the following:

Electronic temperature
Motor temperature
Current
Power
Voltage
Motor Block
Using external control voltage
Run signal
Control Mode
General Feedback
Alarm/Warning Information
Pump Load
Speed and RPM

Pump Condition

The MODBUS Interface will report the following:

Speed and RPM
Pump Load



It is Smedegaard's policy to continually improve and develop its product range. We reserve the right to change specifications without prior notice. Whilst every care has been taken to ensure the data is correct, no responsibility can be taken for inaccuracies or misprints.