



BOON EDAM

YOUR
ENTRY
EXPERTS.



LEVEL UP *in Aesthetics*
SPEEDLANE COMPACT.

PROUDLY BRITISH COLLECTION OF OUR NARROWEST SPEED GATE

The newest addition to the Boon Edam range of speed gates solves the issues concerning implementing security and safety into small and valuable areas of buildings. The five preconfigured UK variations of the Speedlane Compact delivers the fundamental needs of a security lane with the ability to aesthetically adapt the cabinet to your design requirements.



UK 10.

A classic cabinet configuration that provides a sharp, yet simple design. With squared ends, and a basic aesthetic this design truly allows for full creativity and adaptation to project styles. Successfully customise this pre-configured design through colour and cabinet materials.

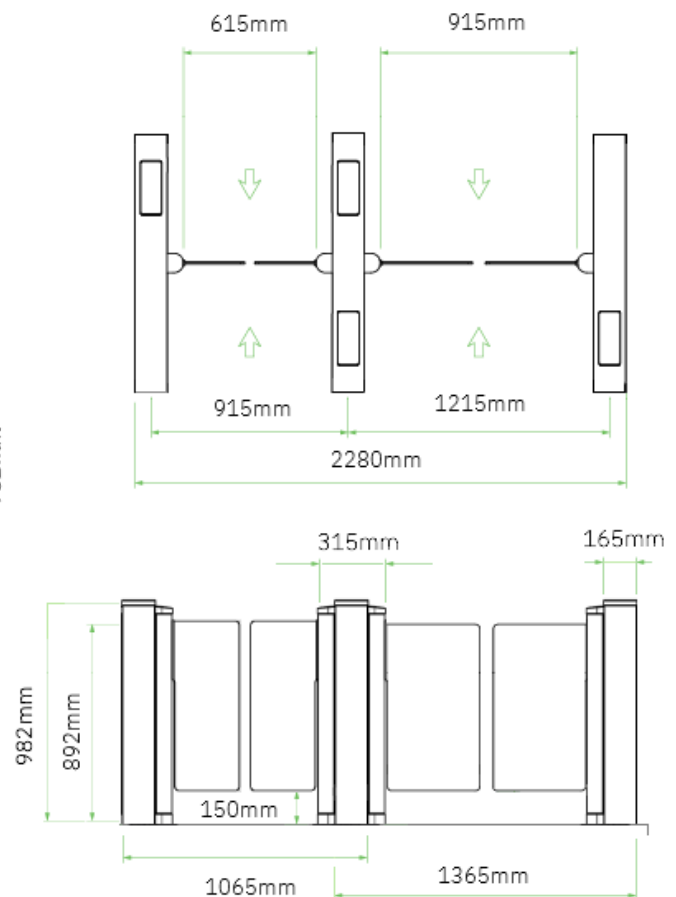
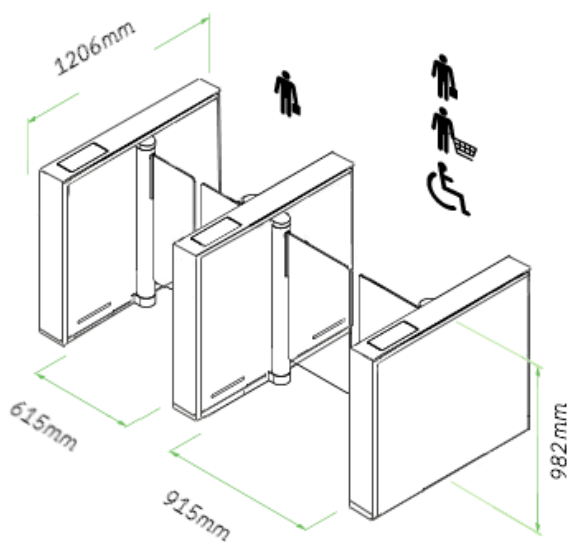
LEVEL-UP ON AESTHETICS:

Cabinet Height	982 mm
Cabinet Length	1206 mm
Cabinet Width	165 mm
Cabinet Colour	Coloured Stainless Steel Brass or Bronze PPC RAL PPC Bronze or Anodised Anodised Aluminium
Cabinet Design	Squared ends

For the full specification of design UK10 please download the product datasheet [here](#).

KEY DESIGN FEATURES:

- Ability to customise cabinet material.
- Ability to customise cabinet colours.
- Compact design helps optimise valuable floor-space.
- Ability to house the majority of external access control systems and peripherals.
- Square ended with a classic cabinet style.



UK 11.

A classic cabinet shape features sharp edges and a glass centre, this design combines modern and traditional design. Available in a simple aesthetic allows for full customisability through a choice of bespoke cabinet materials and colours.

LEVEL-UP ON AESTHETICS:

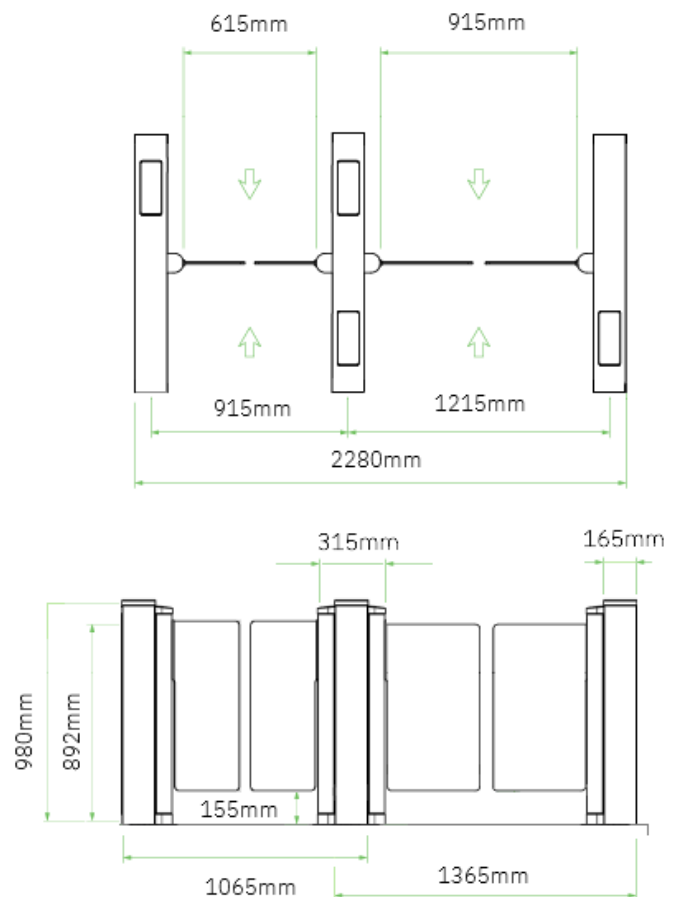
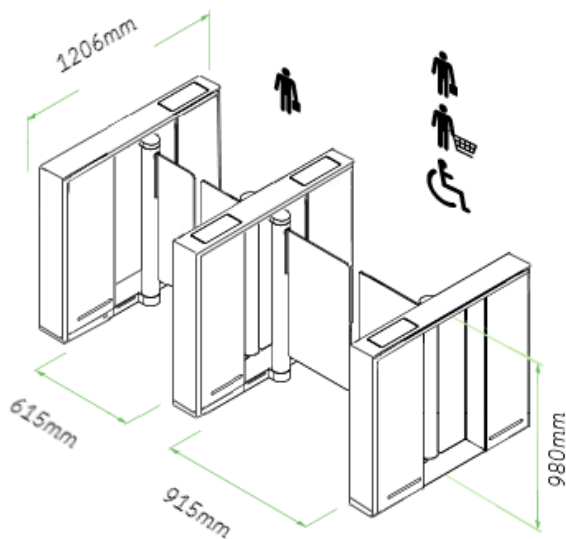
Cabinet Height	980 mm
Cabinet Length	1206 mm
Cabinet Width	165 mm
Cabinet Colour	Coloured Stainless Steel Brass or Bronze PPC RAL PPC Bronze or Anodised Anodised Aluminium
Cabinet Design	Squared ends with Glass Centre

For the full specification of design UK11 please download the product datasheet [here](#).



KEY DESIGN FEATURES:

- Ability to customise cabinet material.
- Ability to customise cabinet colours.
- Compact design helps optimise valuable floor-space.
- Ability to house the majority of external access control systems and peripherals.
- Square ended with a glass central cabinet style.



UK 12.

A modern cabinet configuration that elegantly combines a central decorative strip with tapered edges. Similar in styling of our popular Lifeline series of speed gates, this compact design option includes an LED user indicator. Available for bespoke styling in an array of cabinet colours, strip colours and materials.

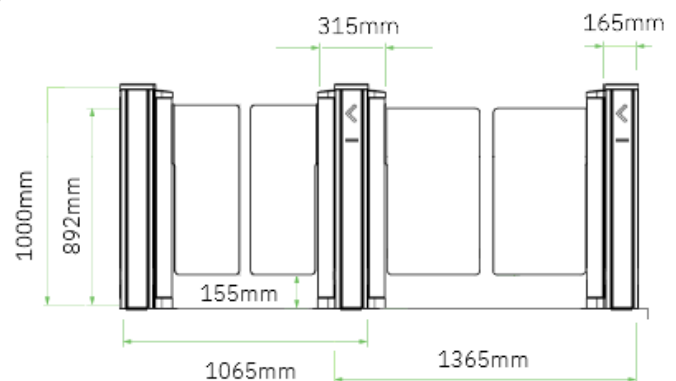
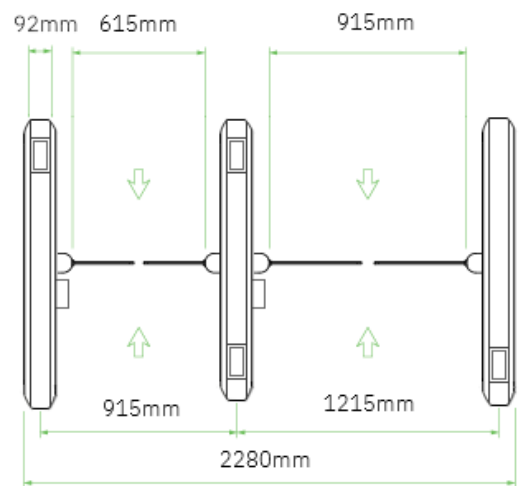
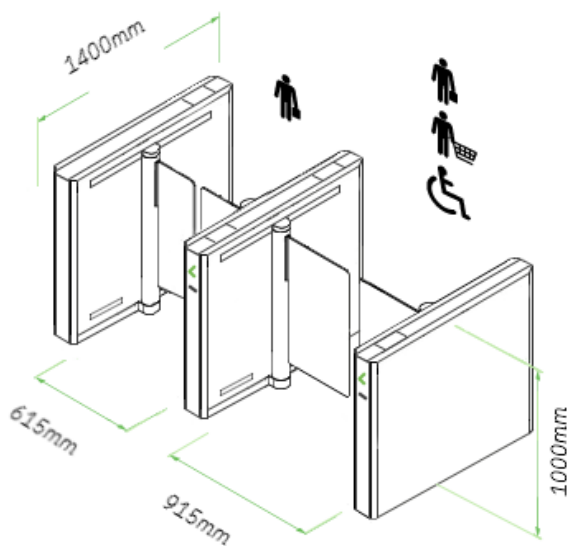
LEVEL-UP ON AESTHETICS:

Cabinet Height	1000 mm
Cabinet Length	1400 mm
Cabinet Width	165 mm
Cabinet Colour	Coloured Stainless Steel Brass or Bronze PPC RAL PPC Bronze or Anodised Anodised Aluminium
Cabinet Design	Tapered ends with Central Strip

For the full specification of design UK12 please download the product datasheet [here](#).

KEY DESIGN FEATURES:

- Ability to customise cabinet material & central strip.
- Ability to customise cabinet colours.
- Compact design helps optimise valuable floor-space.
- Ability to house the majority of external access control systems and peripherals.
- Tapered ends with user indicators and decorative central strip.



UK 12 GLASS.

A streamlined cabinet shape that features tapered edges and a modern glass top. Similar in design to our popular Lifeline series of speed gates, this glossy top cabinet includes an illuminated LED user indicator. Available for unique styling in a variety of glass colours, strip colours and cabinet materials.

LEVEL-UP ON AESTHETICS:

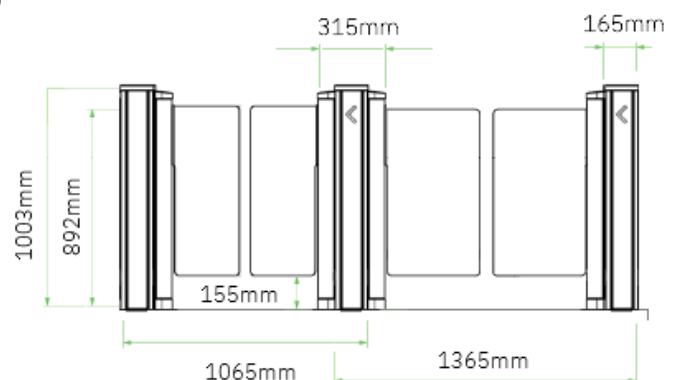
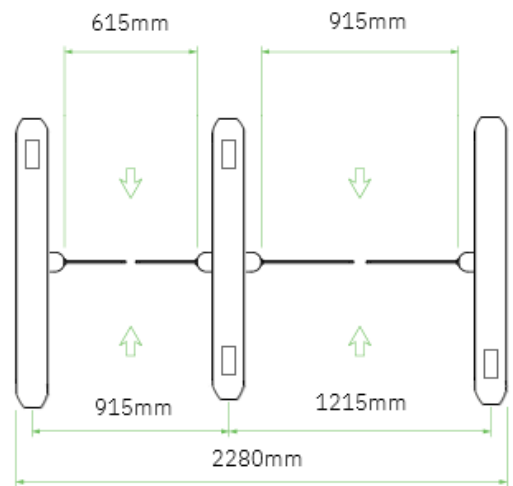
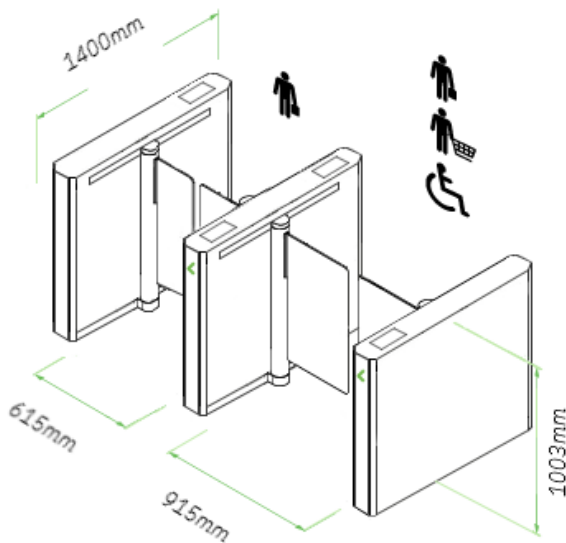
Cabinet Height	9003 mm
Cabinet Length	1400 mm
Cabinet Width	165 mm
Cabinet Colour	Coloured Stainless Steel Brass or Bronze PPC RAL PPC Bronze or Anodised Anodised Aluminium
Cabinet Design	Tapered ends with Glass Top

For the full specification of design UK12 Glass please download the product datasheet [here](#).



KEY DESIGN FEATURES:

- Ability to customise cabinet material.
- Ability to customise cabinet and glass colours.
- Compact design helps optimise valuable floor-space.
- Ability to house the majority of external access control systems and peripherals.
- Tapered ends with a glasstop and central strip.





UK 13.

A unique square ended cabinet design that combines features of all the UK bespoke models. Featuring bright LED user indicators and a glossy decorative strip. This design truly allows for full creativity and adaptation to project styles. Successfully customise this pre-configured design through colour and cabinet materials.

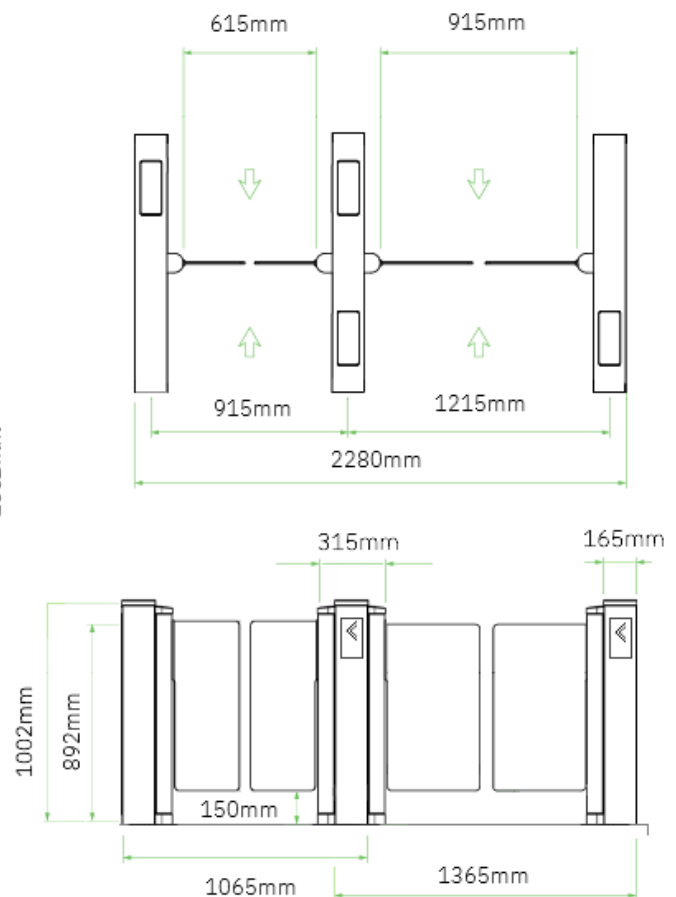
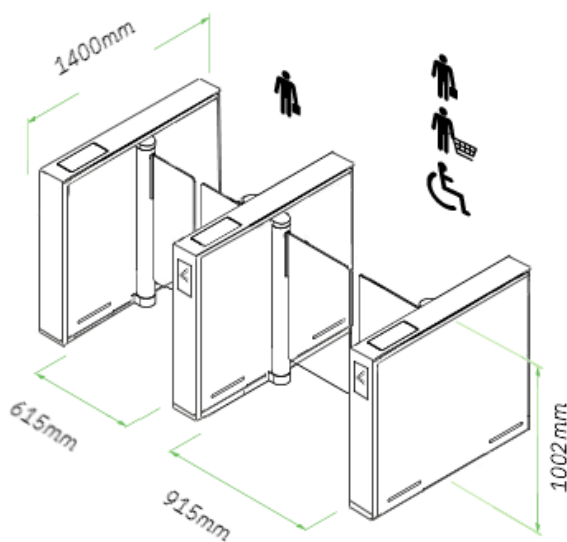
LEVEL-UP ON AESTHETICS:

Cabinet Height	982 mm
Cabinet Length	1206 mm
Cabinet Width	165 mm
Cabinet Colour	Coloured Stainless Steel Brass or Bronze PPC RAL PPC Bronze or Anodised Anodised Aluminium
Cabinet Design	Squared ends with Contrasting Accents

For the full specification of design UK13 please download the product datasheet [here](#).

KEY DESIGN FEATURES:

- Ability to customise cabinet material & central strip.
- Ability to customise cabinet colours.
- Compact design helps optimise valuable floor-space.
- Ability to house the majority of external access control systems and peripherals.
- Squared ends with user indicators.



OUR REACH IS GLOBAL.

We have been in business for more than 140 years manufacturing premium aesthetic and security entrance solutions in the Netherlands, United States of America and China. We can confidently say that we cover every corner of the globe with subsidiary companies in major cities across the globe. Furthermore our global export division not only partner with our distributors, but also offer direct sales and service to every territory. This wide net allows us to have a strong global footprint as well as a personal grasp of local markets and their unique entry requirements.

To find your closest Boon Edam expert, please go to:
www.boonedam.co.uk/contact



Boon Edam Limited
T +44 (0) 1223 505 900
E uk.sales@boonedam.com
I www.boonedam.co.uk


BOON EDAM
YOUR ENTRY EXPERTS.