

# Technical Data Sheet

## StoBrick Smoothed Blended

Bricks for Sto facade insulation systems



### Characteristics

- Area of application**
- exterior
  - as facade cladding on external wall insulation systems, ventilated rainscreen cladding systems, and solid substrates

- Properties**
- frost-resistant in accordance with EN ISO 10545-12
  - manufactured in accordance with DIN EN 14411
  - pore radius > 0.2  $\mu\text{m}$
  - pore volume  $\geq 20 \text{ mm}^3/\text{g}$
  - water absorption of up to 6 %

- Format**
- brick: normal format (NF 240 x 71 x 11 mm) approx. 48 pieces/m<sup>2</sup>
  - corner profile: normal format (NFWR 240/115 x 71 x 11 mm) approx. 12 pieces/m
  - other formats on request

- Appearance**
- surface: unevenly smooth, slightly rough, slightly textured, precise
  - edge: slightly and evenly rounded on all sides, no ridges
  - gloss level: matt/sporadically silk gloss

### Technical data

Criterion	Standard / test specification	Value/ Unit	Notes
Maximum at pore radius $r_p$		> 0.2 $\mu\text{m}$	Mercury intrusion in accordance with DIN 66133
Pore volume $V_p$		$\geq 20 \text{ mm}^3/\text{g}$	Mercury intrusion in accordance with DIN 66133

The characteristic values stated are average values or approximate values. Due to the natural raw materials in our products, the stated values can vary slightly in the same delivery batch; this does not affect the suitability of the product for its intended use.

# Technical Data Sheet

## StoBrick Smoothed Blended

### Substrate

#### Requirements

The substrate must be firm, dry, clean, load-bearing, and free from sinter layers, efflorescence and release agents.

Do not use a lightweight base coat.  
The insulation boards must be bonded on 60 % of their surface.  
Dowel through the mesh.

### Application

#### Application

joint width: 10 mm - 12 mm, also possible without pointing on an external wall insulation system with EPS insulant,

bonding by application to both surfaces with StoColl KM, pointing with StoColl FM-K, StoColl FM-S, or StoColl FM-E

#### Notes, recommendations, special information, miscellaneous

In order to minimise deviations between different batches, order the complete amount required for a construction project all at once.

In order to achieve a harmonious play of colours, ensure a good mixture when installing the bricks (if possible, mix bricks from 5 different pallets together). This also applies to single-colour types.

It is absolutely essential to observe application guidelines, range summaries, national or international approvals.

### Delivery

#### Colour shade

changing monochrome  
see StoBrick range

### Storage

#### Storage conditions

Store in dry conditions.

#### Storage life

If sealed, product can be stored indefinitely.

### Identification

#### Safety

The product is a manufactured item. The creation of a safety data sheet in accordance with the REACH Regulation (EU) No. 1907/2006, Annex II, is not required.

Detailed information can be found at [www.sto.de](http://www.sto.de) under the category

# Technical Data Sheet

---

## StoBrick Smoothed Blended

---

Fachhandwerker (tradesmen) / REACH.

### Special notes

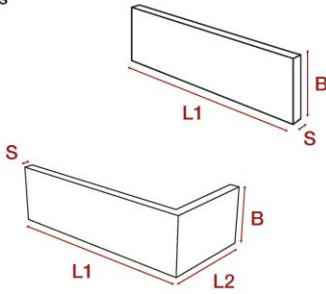
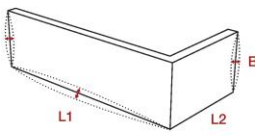
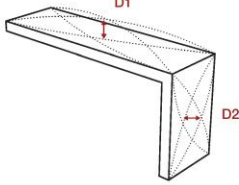
The information in this Technical Data Sheet serves to ensure the product's intended use, or its suitability for use, and is based on our findings and experience. Users are nevertheless responsible for establishing the product's suitability and use. Applications not specifically mentioned in this Technical Data Sheet are permissible only after prior consultation. Where no approval is given, such applications are at the user's own risk. This applies in particular when the product is used in combination with other products.

When a new Technical Data Sheet is published, all previous Technical Data Sheets are no longer valid. The latest version is available on the Internet.

# Technical Data Sheet

## StoBrick Smoothed Blended

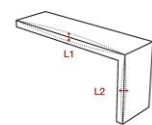
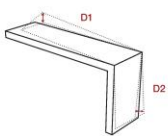
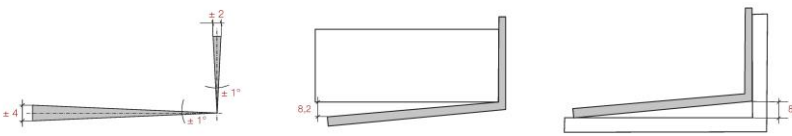
Nominal value: 240 mm x 115 mm x 71 mm x 14 mm

Sizes and dimensions		Tolerance value
Length and width Thickness		$\pm 1\%$ to maximum $\pm 2$ mm $\pm 10\%$
Length 1 Length 2 Width B Thickness S		238-242 mm 113,85-116,15 mm 70,3-71,7 mm 12,6-15,4 mm
Straightness of sides		Tolerance value
Maximum permissible tolerance		$\pm 0,5\%$
Length 1 Length 2 Width B		$\pm 1,2$ mm $\pm 0,58$ mm $\pm 0,36$ mm
Centre curvature		Tolerance value
Maximum permissible tolerance		$\pm 0,5\%$
Diagonal D1 Diagonal D2		$\pm 1,25$ mm $\pm 0,68$ mm

**bracket NF TO**

# Technical Data Sheet

## StoBrick Smoothed Blended

<p><b>Edge camber</b></p> <p>Maximum permissible tolerance</p> <p>Length 1</p> <p>Length 2</p>		<p><b>Tolerance value</b></p> <p>± 0,5 %</p> <p>± 1,2 mm</p> <p>± 0,58 mm</p>
<p><b>Warpage</b></p> <p>Maximum permissible tolerance</p> <p>Diagonal D1</p> <p>Diagonal D2</p>		<p><b>Tolerance value</b></p> <p>± 0,8 %</p> <p>± 1,92 mm</p> <p>± 0,92 mm</p>
<p><b>Angular accuracy</b></p> <p>Angular accuracy based on DIN 105 for exposed masonry clinker</p> <p>Stroher specification approx. 1°, resp. +/- 4 mm on the strecher side and +/- 2 mm on the head side.</p> <p>This corresponds to approx. 50 % of the standard specification for a delivery lot.</p>		
		

**bracket NF TO**

# Technical Data Sheet

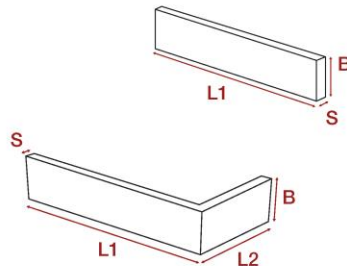
## StoBrick Smoothed Blended

Nominal value: 240 mm x 115 mm x 52 mm x 14 mm

### Sizes and dimensions

Length and width  
Thickness

Length 1  
Length 2  
Width B  
Thickness S



### Tolerance value

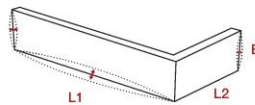
$\pm 1\%$  to maximum  $\pm 2$  mm  
 $\pm 10\%$

238-242 mm  
113,85-116,15 mm  
51,48-52,52 mm  
12,6-15,4 mm

### Straightness of sides

Maximum permissible tolerance

Length 1  
Length 2  
Width B



### Tolerance value

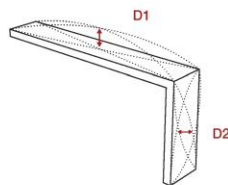
$\pm 0,5\%$

$\pm 1,2$  mm  
 $\pm 0,58$  mm  
 $\pm 0,26$  mm

### Centre curvature

Maximum permissible tolerance

Diagonal D1  
Diagonal D2



### Tolerance value


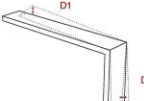
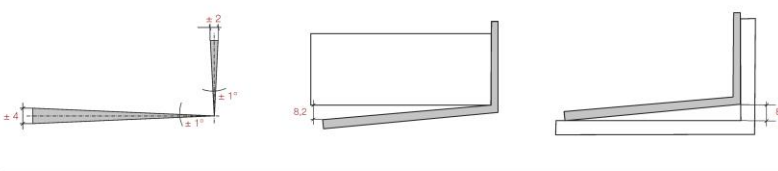
$\pm 0,5\%$

$\pm 1,23$  mm  
 $\pm 0,63$  mm

**bracket DF TO**

# Technical Data Sheet

## StoBrick Smoothed Blended

<p><b>Edge camber</b></p> <p>Maximum permissible tolerance</p> <p>Length 1</p> <p>Length 2</p>		<p><b>Tolerance value</b></p> <p>± 0,5 %</p> <p>± 1,2 mm</p> <p>± 0,58 mm</p>
<p><b>Warpage</b></p> <p>Maximum permissible tolerance</p> <p>Diagonal D1</p> <p>Diagonal D2</p>		<p><b>Tolerance value</b></p> <p>± 0,8 %</p> <p>± 1,92 mm</p> <p>± 0,92 mm</p>
<p><b>Angular accuracy</b></p> <p>Angular accuracy based on DIN 105 for exposed masonry clinker</p> <p>Stroher specification approx. 1°, resp. +/- 4 mm on the stretcher side and +/- 2 mm on the head side.</p> <p>This corresponds to approx. 50 % of the standard specification for a delivery lot.</p>		
		

### bracket DF TO

Sto SE & Co. KGaA  
 Ehrenbachstr. 1  
 79780 Stühlingen / Germany  
 Phone: +49 7744 57-0  
 Fax: +49 7744 57-2178  
 Infoservice.export@sto.com  
 www.sto.com