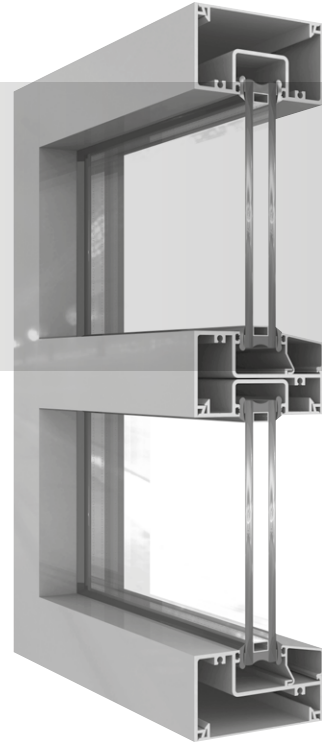


System 9 Flush Glaze

The Metal technology Flush glazed System is offered in single or double glazed formats utilising beaded and pocket sections. The clean lines, ease of fabrication and installation make this the ideal product for the high street.



Introduction

The basic suite of profiles allows for both single and double glazed configurations. On the former the sections measure 100mm x 45mm and the latter 100mm x 55mm. Both have corner assembly options based around a 100mm x 100mm post. In addition, other special sections available from this range permit a 135° corner and a radius corner post to be provided. Around this suite can be designed limitless profiles thereby allowing architects to achieve flexible designs. Glazing options accommodate single glazed through to 24mm units directly into the flush glaze system, and of course all other Metal Technology systems are compatible. As with all Metal Technology products the flush glaze system is manufactured to exacting standards giving economy and strength for many years of aesthetic and trouble-free operation. Metal Technology have an extensive range of commercial quality door systems which can be used in conjunction with the flush glazed system.

Scope

This specification defines materials, construction, finishes, size limits for the flush glaze screen system.

Materials

Aluminium profiles are extruded from aluminium alloy 6060T6, T5 or T4 complying with the recommendations of BS EN 12020-2 / BS EN 755-Parts 1 to 9.

Finishes

The range of sections can be provided in either of the following ranges of finishes:

1. Anodised to BS EN 12373-1 or BS 3987
2. Powder organic coated to BS 6496 or BS EN 12206-1

Construction

Frame members are square cut shaped and fixed securely to the frame by means of stainless steel screws driven into screw grooves in the sections. Frame joints are sealed during construction against entry of water. Extruded glazing gaskets are provided to resist the ingress of water.

Glazing

Glass is set between co-extruded (PVC nitrile) glazing gaskets externally and internally. Setting blocks and location pieces are fitted in accordance with BS 6262. Where double glazing is used with the flush glaze system the edge cover on the double glazing unit will only be 10mm. Care must therefore be taken to ensure the spacer bar is properly aligned with the grid. Where greater edge cover is required use either bead glazed sections or the low rise curtain walling system.

Installation

Detailed installation instructions are provided within the System 9 Manual which should be strictly followed.

Size Limits

The size limits for this range of sections will be dictated by the wind loading conditions, therefore the loading charts provided for the sections must be used.

Curved Sections

In accordance with Metal Technology's policy of offering the maximum flexibility to the designer, Metal Technology have special facilities available in-house to enable the following sections to be supplied curved :

- FG02
- FG03
- FG04
- FG05
- FG06
- FG07

Requirements for curved sections should be discussed with Metal Technology at an early stage in the project.

Performance

Flush glaze screen sections are designed for use as ground floor treatments in moderately exposed areas only. Where the site is exposed or above ground floor consideration should be given to the use of other systems from Metal Technology's extensive range.

Development

Our policy is to continually research the market for new and improved products. We must therefore retain the right to amend specifications without prior notice. It is recognised at Metal Technology that in some instances special sections may be required for particular projects. When this occurs it may be possible to produce bespoke profiles subject to there being sufficient quantity and adequate time.

