

High Insulation (Hi+)
Window and Door Systems



THERMAL™

4-35Hi+



THERMAL™

To comply with the latest building regulations and those proposed for 2013, Metal Technology has developed a range of high performance window and door systems. Using the latest technology, the company has developed bespoke thermal gaskets, cellular foams and polyamide thermal isolators which will allow architects and designers to achieve low U values.

50mm Frame Systems

4-20Hi+

Casement



5-20D Hi+

Door



5-20Hi+

Tilt and Turn
Tilt and Slide



7-20Hi+

Pivot



75mm Frame Systems (Available in Hi and Hi+ Formats)

4-35Hi+

Casement



5-35Hi+

Tilt and Turn
Tilt and Slide



Technical Support

Metal Technology offers a comprehensive design and specification service to architects, developers and main contractors through its team of dedicated architectural advisors. Tailored specifications are provided in NBS format and are also available online along with CAD details and full test data. Thermal modelling and free air flow software allows accurate information to be analysed at early design stage assisting with WER (window energy ratings) and Bream assessments.

High performance systems offering bespoke solutions and total design flexibility.



Nationwide Fabricator Coverage

Metal Technology has an approved network of fabricators throughout the UK and Ireland to ensure geographical continuity and capacity, with companies specialising in all market sectors.



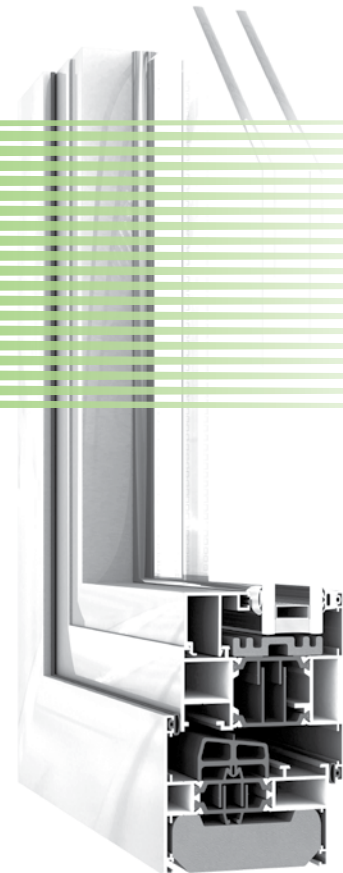
Market Sectors

Metal Technology products are designed for a diverse range of buildings within the construction market. Key sectors include: Commercial, Retail, Education, Health, Residential/Housing, Hotel/Leisure.

THERMAL™

4-35Hi+

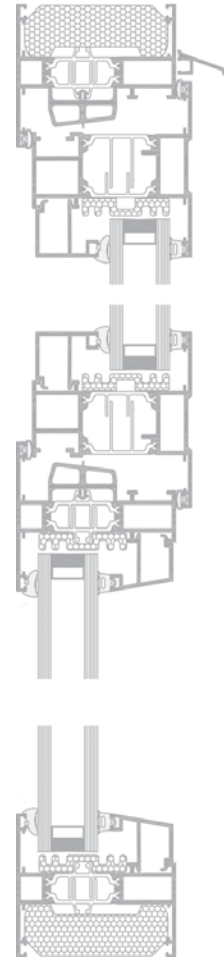
Metal Technology's System 4-35Hi+ offers the designer a wide and diverse range of profiles that will provide structural integrity, weather performance, thermal enhancement and security. The high performance 4-35Hi+ glazing system complies with the following standards: BS 6375 pt 1, 2 and 3, BS 7950.



Independently Weather Performance Tested to BS 6375-1

Air Infiltration BS EN 1026	Class 4
Watertightness BS EN 1027	Class E1050
Wind Resistance BS EN : 12211	Class E2400





Thermal Performance

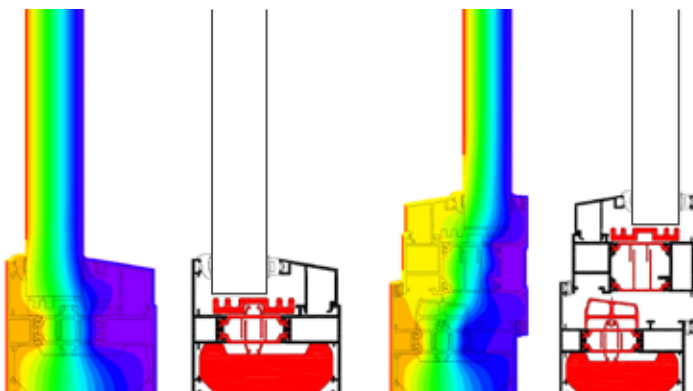
Metal Technology's **THERMAL** range, in conjunction with the correct glass specification, is designed to aid compliance with the latest thermal requirements of the current building regulations. The polyamide thermal break profiles have been specifically designed to minimise heat transfer across the window profiles.

Thermal performance is further improved through the introduction of specially designed thermal gaskets and foam profiles. These reduce radiation heat loss across the air cavities within the window profiles to provide additional thermal enhancement.

	U-frame values	
	4-35Hi	4-35Hi+
Fixed light outer frame	1.92 W/m²K	1.34 W/m²K
Outer frame and glazed-out vent	2.56 W/m²K	1.69 W/m²K
Outer frame and glazed-in vent	2.57 W/m²K	1.69 W/m²K

The following table, based on a standard commercial GGF window configuration and warm edge spacers, demonstrates how such improved U-frame values then contribute to improving the overall thermal performance of a complete window.

Achievable whole window U-value	Centre pane U-value	
	1.1 W/m ² K	0.6 W/m ² K
4-35Hi glazed-in casement	1.62 W/m²K	1.30 W/m²K
4-35Hi glazed-out casement	1.56 W/m²K	1.25 W/m²K
4-35Hi+ glazed-in casement	1.39 W/m²K	1.04 W/m²K
4-35Hi+ glazed-out casement	1.34 W/m²K	0.98 W/m²K



Metal Technology can provide tailored U-value calculations using their dedicated estimating software to calculate overall project average window U-values for their full range of systems.

Breeam Sustainability Rating

When assessed in accordance with the profile mass formula, as set out in the BRE's Green Guide for sustainable design and environmental performance, Metal Technology's 4-35Hi and 4-35Hi+ Systems achieved an **'A' rating**.

Window Energy Rating

Metal Technology's 4-35Hi and 4-35Hi+ Systems have been assessed by an approved simulator in accordance with the BFRC's guidelines, using their official Window Energy Rating software, and have been proven to be capable of achieving an **'A' rating**.

EWER Rating Scale	Window Rating
• A •	A
B	
C	
D	
E	
F	
G	

Specification Overview

Introduction

The Metal Technology 4-35Hi+ polyamide casement window suite has been developed with a diverse range of profile options. Bespoke thermal isolators and insulation combined with structural mullions, vents and outer frames offer architects and designers the ability to achieve flexible design solutions.

Scope

The specification defines materials, construction, finishes, glazing and security.

Materials

Aluminium profiles are extruded from aluminium alloy 6060T6, T5 or T4 complying with the recommendations of BS EN 12020-2 / BS EN 755 Parts 1 to 9. Polyamide thermal breaks are produced from glass reinforced nylon sections designed to withstand temperatures in excess of 200°C, allowing the sections to be powder coated after thermally breaking.

Construction

Frame members are mitre cut at 45°, corners are reinforced with extruded aluminium crimping cleats and corner braces, and a secure joint is formed by pneumatically crimping into the extruded crimping cleat. Mullion and transom bars are square cut shaped and fixed securely to the frame by means of stainless steel screws and fixing cleats. All frame joints are sealed during construction against entry of water using Metal Technology's single and two-part adhesive. Metal Technology recommend that only A2 or A4 Austenitic (300 series/class 70) stainless steel fixing screws are used in the assembly of their products.

Finishes

The range of sections can be provided in either of the following range of finishes:
Anodised to BS 1615 or BS 3987
Powder organic coated to BS 6496
Where a different colour is required internally and externally, Metal Technology can accommodate this.

Glazing

The system can be glazed internally or externally and can accommodate glazing units from 28mm to 47mm.

Security

System 4-35Hi+ has passed BS 7950 incorporating Amendment 1, "Specification for Enhanced Security Performance" as generally accepted on Secure by Design projects. To conform, the window hardware must be in accordance with the tested sample as detailed in Metal Technology's technical literature.

Summary of Results:

- Manipulation - meets the requirement of clause 7 A.4
- Glazing Removal - meets the requirement of clause 7 A.5
- Mechanical Loading - meets the requirement of clause 7 A.6
- Manual Check Test - meets the requirement of clause 7 A.7

Installation

Detailed installation instructions are provided in Metal Technology's technical literature which should be strictly followed.

Max Size Limitation

	Vent Width	Vent Height	Vent Weight
Top Hung Casement	2000mm	2000mm	100 Kg
Side Hung Casement	1000mm	1800mm	60 Kg

Maximum height and maximum width cannot be achieved simultaneously. This table provides basic guidance, please refer to size limitation charts in Metal Technology's technical literature for further details.



Metal Technology has a clear commitment to sustainable products that can offer the best available carbon footprint and Global Warming Potential (GWP) for each particular product. Embodied energy (energy to produce, transport and manufacture) and environmental impact are also considered as part of the procurement package.



Our commitment to sustainable products

Recycling and Waste Reduction

Where we can influence the design and use of our products in developments, we will base decisions on a sustainable basis where the health and safety of the occupants can be combined with the conserving of resources for future generations. As an industry we are using resources more efficiently with the minimum of energy consumption, to deliver a project that is flexible, durable, has longevity, and where practical, using fixtures and fittings that can be reused.

Meeting Standards - ISO 14001

ISO 14001 is an international quality system for environmental management, providing a framework to allow businesses to minimise the impact of their operations on the environment. It seeks to establish a company policy for planning environmental objectives and for complying with laws, directives and regulations.

Aluminium

The intrinsic qualities of aluminium, its infinite recyclability, strength and lightness, durability and low maintenance qualities mean it is one of the most sustainable building materials to be used.

Aluminium is the earth's third most abundant element after oxygen and silicon (ahead of iron).

Aluminium does not emit dust, vapour or particles and is not toxic to touch.

Given its durability and resistance due to applied surface treatments such as anodising or powder coating, aluminium structures need only regular cleaning with neutral detergents followed by rinsing with water.

Aluminium is non-flammable and, when it reaches its melting point in the event of a fire (about 650°C), it gives off no flammable gases or vapours.

Life Cycles

Recycling is a valuable asset in the battle against the greenhouse effect. The global aluminium industry has made great strides during the last century to reduce its environmental impact at all stages of the supply chain. Aluminium extraction and refining companies have reduced their energy requirements by almost 70% since 1900.

This has seen the growing use of hydro-electric energy coupled with a vast increase in aluminium that is recycled. At present more than a third of global aluminium production is from recycled metal, a figure that is growing. Recycled aluminium takes just 5% of the energy needed to produce primary metal with a consequent reduction of 95% in the greenhouse gases produced. The recycling process is economically attractive and viable. Recycled aluminium meets almost 40% of the demand for the metal in Europe. Approximately 70% of the material used to produce Metal Technology extrusions is recycled.

Aluminium is infinitely recyclable with no loss of its properties: The aluminium cycle is a closed life cycle.

The Delft University of Technology in the Netherlands has investigated the collection rate of aluminium in buildings. Demolition case studies in six different European countries (France, Germany, Italy, Spain, the Netherlands and the United Kingdom) were carried out and the data gathered shows that collection rates are over 95%.

Our products are 100% recyclable



High Insulation (Hi+)
Window and Door Systems

Metal Technology Ltd.
Steeple Rd Industrial Est.
Steeple Road Antrim
Northern Ireland BT41 1AB

Telephone +44 (0)28 9448 7777
Facsimile +44 (0)28 9448 7878
Email sales@metaltechnology.com

metaltechnology.com



This document has been printed on 100% recycled paper.

