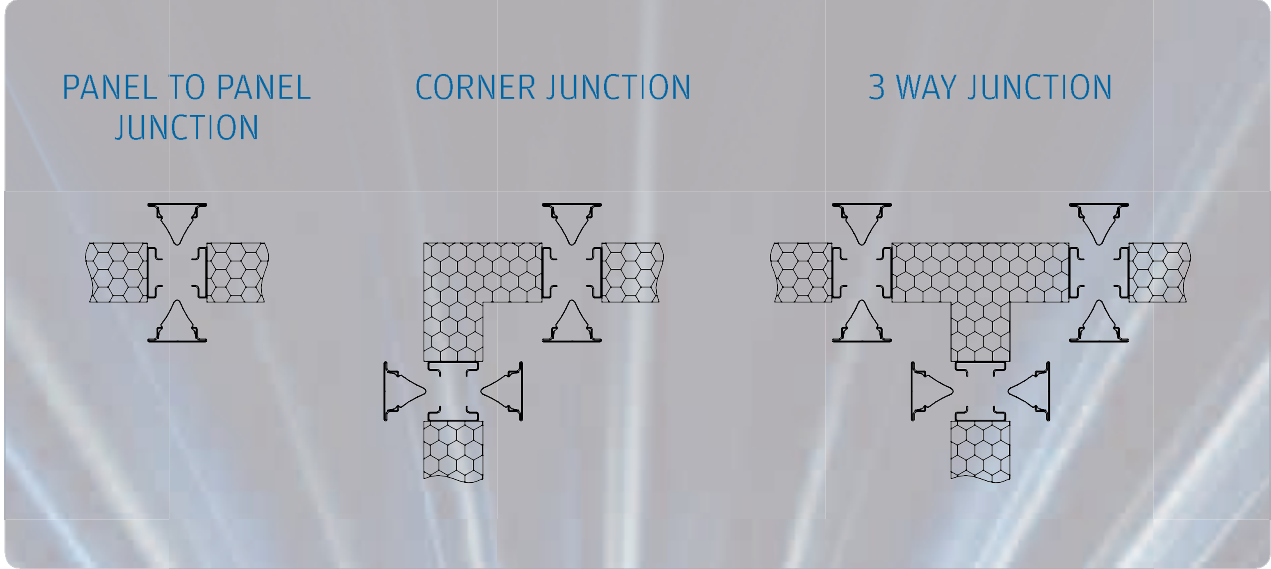
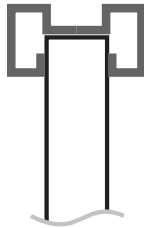


TITAN JOINT DETAILS

Uniclass	EPIC
L384	C44
CI/SfB	
(22.3)	X



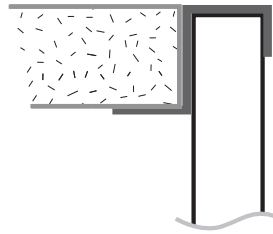
TOP CAPPING



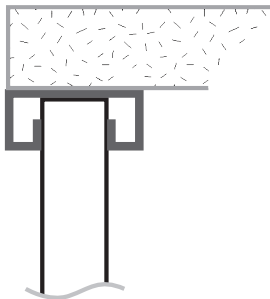
Free standing applications



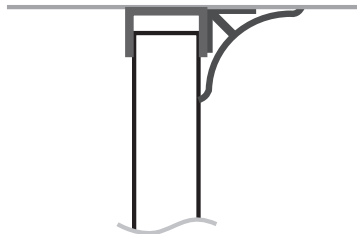
Floor to ceiling



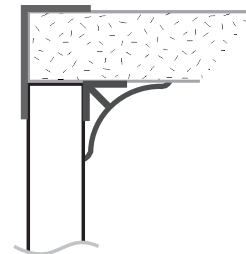
Short span ceilings



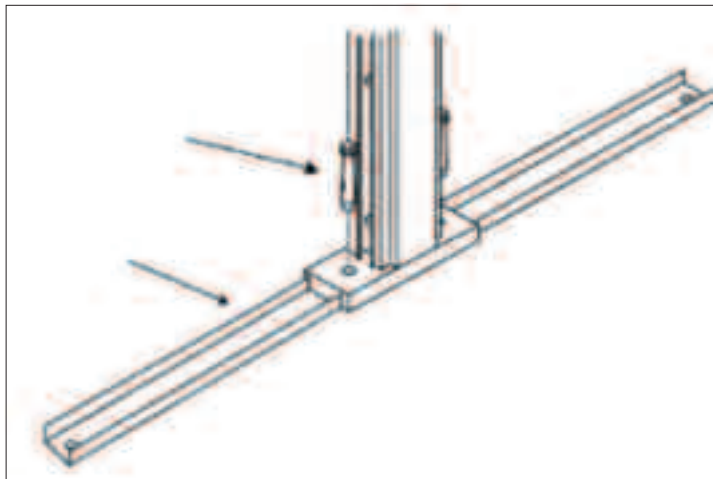
Wide span ceilings



Floor to ceiling incorporating PVC coving

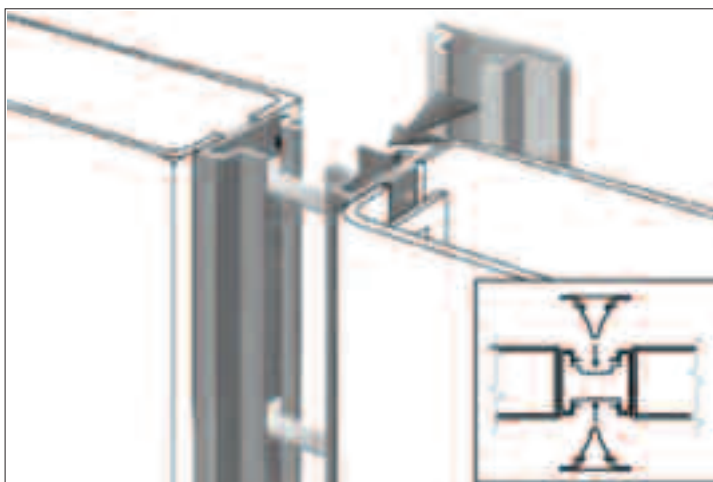


Supported ceiling incorporating coving



Inline mullions -

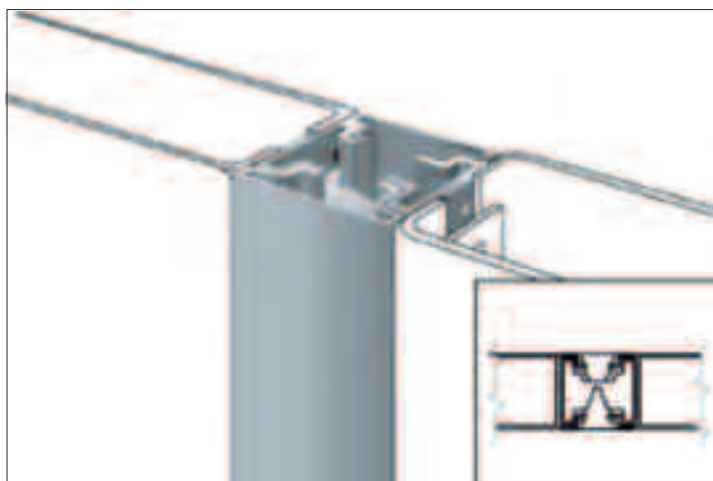
Provide strength & stability whilst keeping a neat perimeter, with no protruding base plates.



Panels are fully demountable

Individual panels can be removed without disrupting surrounding panels.

This provides the opportunity for future adaptation to the panel layout.



2-Line joint -

A flush joint cover creates a neat 2 line junction.



Lee Manufacturing Ltd Building 52, Third Ave., Pensnett Trad Est, Kingswinford, West Mids, DY6 7XF.
Phone: +44 (0)1384 277 441 Fax: +44 (0)1384 273 627 Email: info.uk@troax.com Web: www.leewalls.co.uk

Part of The  Group