

dyson airblade tap

AB AB AB
09 10 11

Electrical

Input voltage/Frequency: 220-253V 50 Hz

Rated power: 1600 W

Motor type: Dyson digital motor – brushless DC Motor

Motor switching rate: 6,000 per second

Motor speed: 90,000 rpm

Operating temperature range: 0° – 40°C

Heater type: None

Standby power consumption: Less than 0.5 W

Construction

Tap construction: Stainless steel (brushed)

Under counter motor assembly construction: Moulded ABS (main unit)

Exterior screw type: Torx T15

Water ingress protection to IP35

Filter

HEPA filter (glass fibre and fleece prelayer)

Bacteria removal 99.9%

Operation

Touch-free infra-red activation

Hand dry time measurement: 12 seconds (Measurement based on National Sanitation Foundation Protocol P.335)

Operation lock-out period: 30 seconds

Airspeed at apertures: 430 mph

Operating airflow: Up to 30 l/s

Water operation

Water flow rate: 4 l/min

Tap Aerator: Aerated water outlet

Tap power supply: Mains supply

Water temperature control: Thermostatic mixer recommended (not supplied)

Water pressure required: 1-8 Bar

Logistics

Serial number prefix: AB09 EC1; AB10 EC2; AB11 EC3

Single unit order code: AB09 25818-01; AB10 25819-01; AB11 25820-01

Net weight: AB09 4.3kg; AB10 4.6kg; AB11 9.0kg

Packaged weight: AB09 5.7kg; AB10 6.1kg; AB11 11.4kg

Packaged dimensions: AB09 H303 × W284 × D286 mm
AB10 H276 × W437 × D280 mm; AB11 H302 × W610 × D375 mm

Unit barcode: AB09 5025 1550 1577 3;

AB10 5025 1550 1578 0; AB11 5025 1550 1579 7

Sink specification

The Dyson Airblade Tap hand dryer is compatible with most sink types. Ensure plugs are not installed in the sinks.

Sink dimensions: All sink measurements are internal unless stated otherwise.

Width of sink – Minimum: 350mm, Front to back – Minimum: 300mm

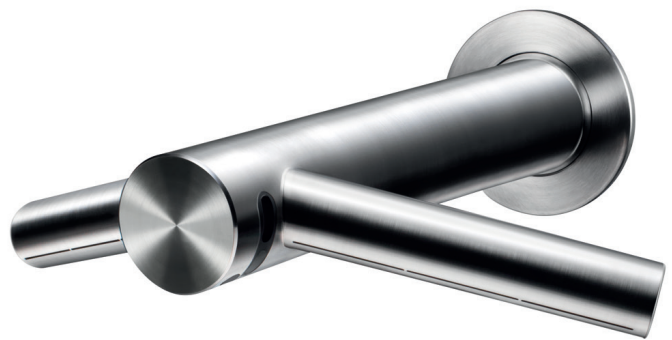
Depth of sink – Minimum: 100mm

Maximum depth of sink for AB10 only: 200mm (External measurement of vessel sink).

Sink materials: Sinks with highly polished surfaces should be avoided e.g. reflective chrome. Porcelain or brushed metal are ideal. When multiple taps are installed side-by-side, tap centres should be a minimum of 580mm apart.

Standard guarantee

5 year guarantee



Product range

AB09 Short



AB10 Long



AB11 Wall



The NSF logo is a registered trade mark of NSF International. The Carbon Reduction Label is the registered trade mark of the Carbon Trust. HACCP International non-food certification mark is the registered trademark of HACCP International. HACCP International have certified Dyson products based on their recommended installation and operating conditions. Licensed by Dyson.

For further information please contact Dyson.
0800 345 7788 (UK) 01-401-8300 (IE)
www.dysonairblade.com

dyson airblade tap

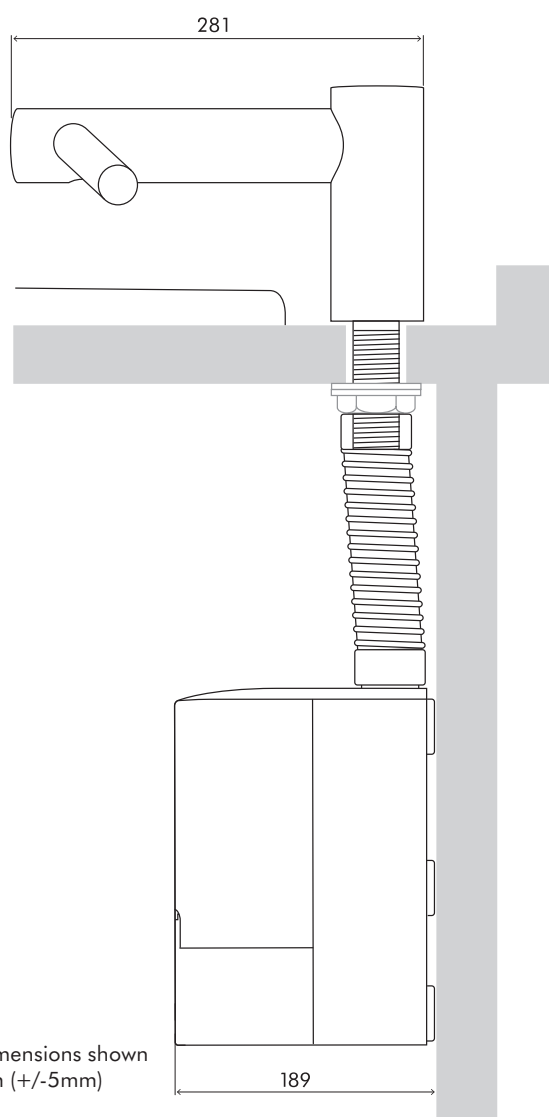
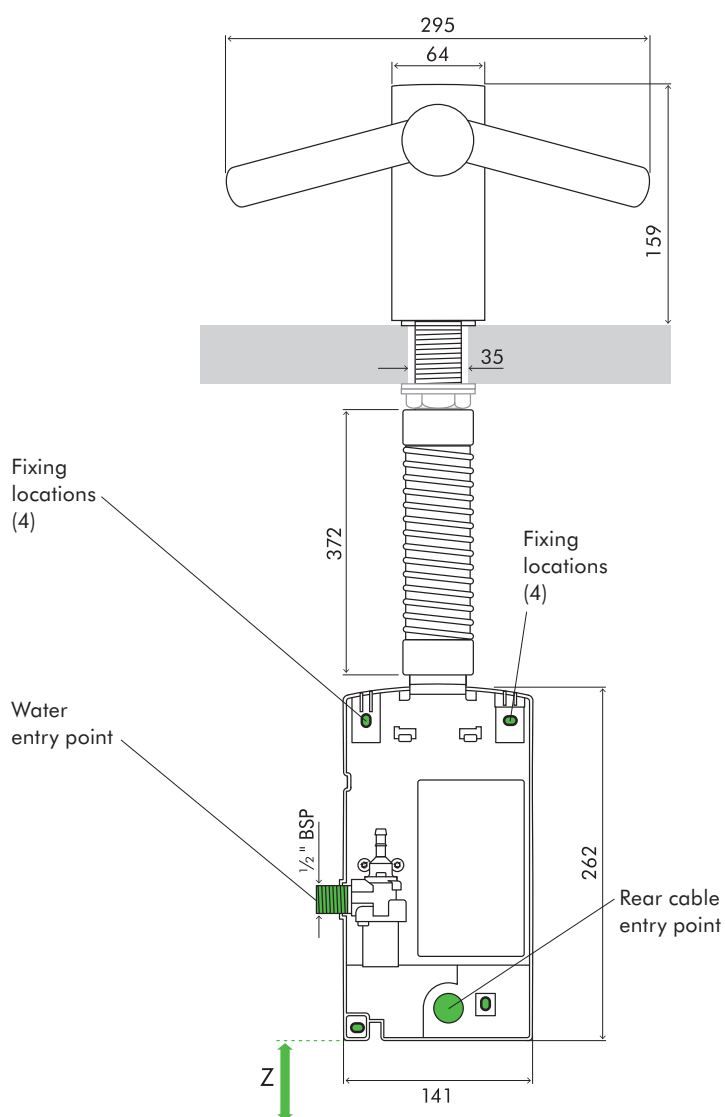
TECHNICAL SPECIFICATION

AB
09 10 11



FRONT ELEVATION

SIDE ELEVATION



All dimensions shown in mm (+/-5mm)

FLOOR

Tap dimensions

AB09 Height 159mm Width 295mm Depth 281mm

Motor bucket dimensions

AB09 Height 262mm Width 141mm Depth 189mm

Minimum clearance

Z 100mm clearance from floor.

For further information please contact Dyson.
0800 345 7788 (UK) 01-401-8300 (IE)
www.dysonairblade.com

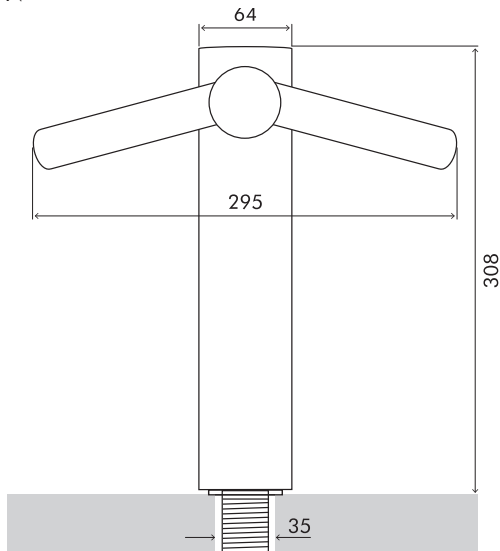
dyson airblade tap

TECHNICAL SPECIFICATION

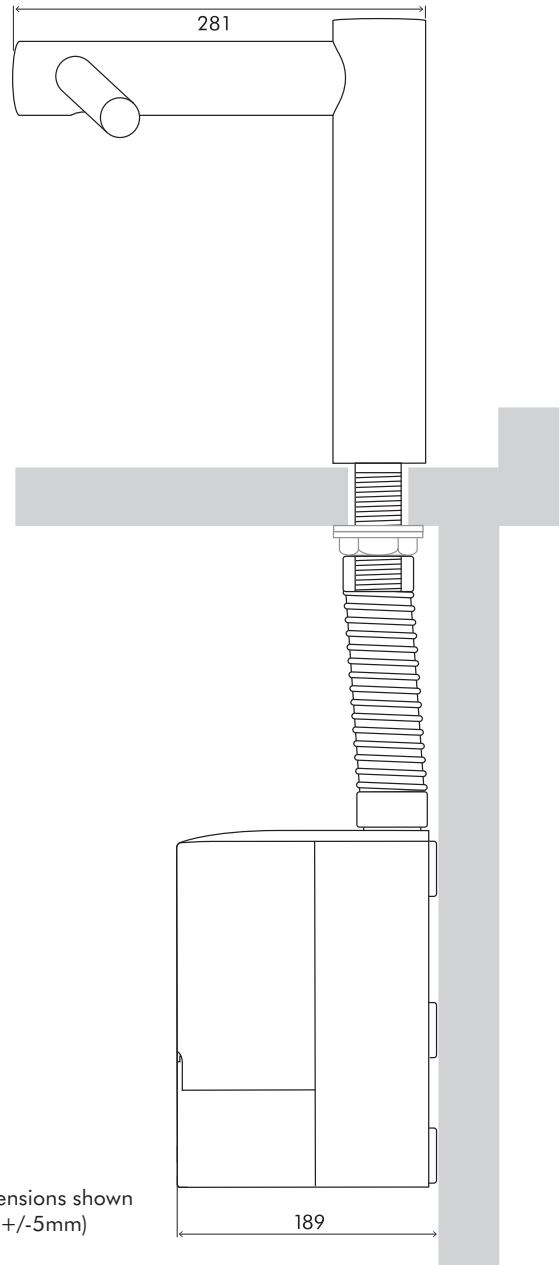


AB 09 AB 10 AB 11

FRONT ELEVATION



SIDE ELEVATION



Fixing locations (4)

Fixing locations (4)

Water entry point

1/2" BSP

Rear cable entry point

Z

All dimensions shown in mm (+/-5mm)

FLOOR

Tap dimensions

AB10 Height 308mm Width 295mm Depth 281mm

Motor bucket dimensions

AB10 Height 262mm Width 141mm Depth 189mm

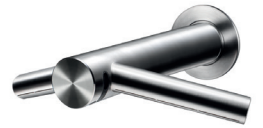
Minimum clearance

Z 100mm clearance from floor.

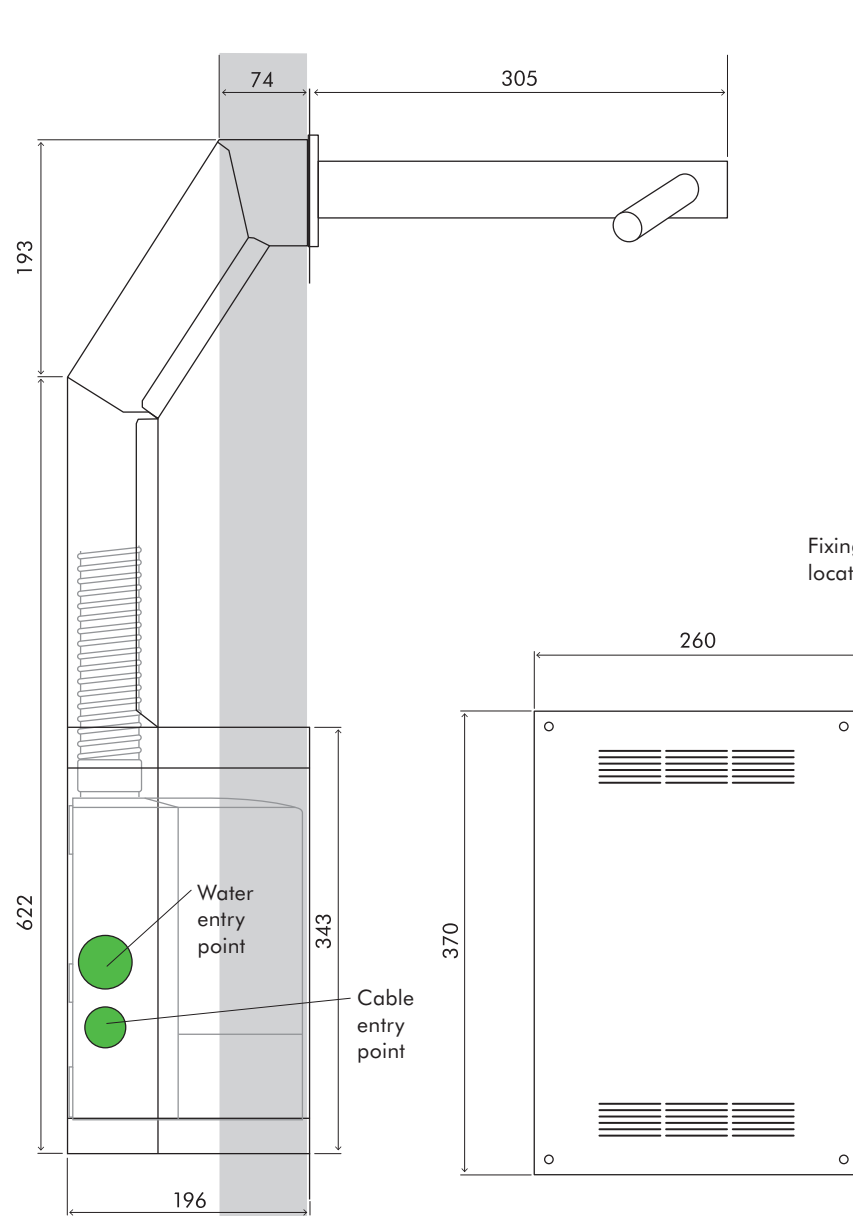
dyson airblade tap

TECHNICAL SPECIFICATION

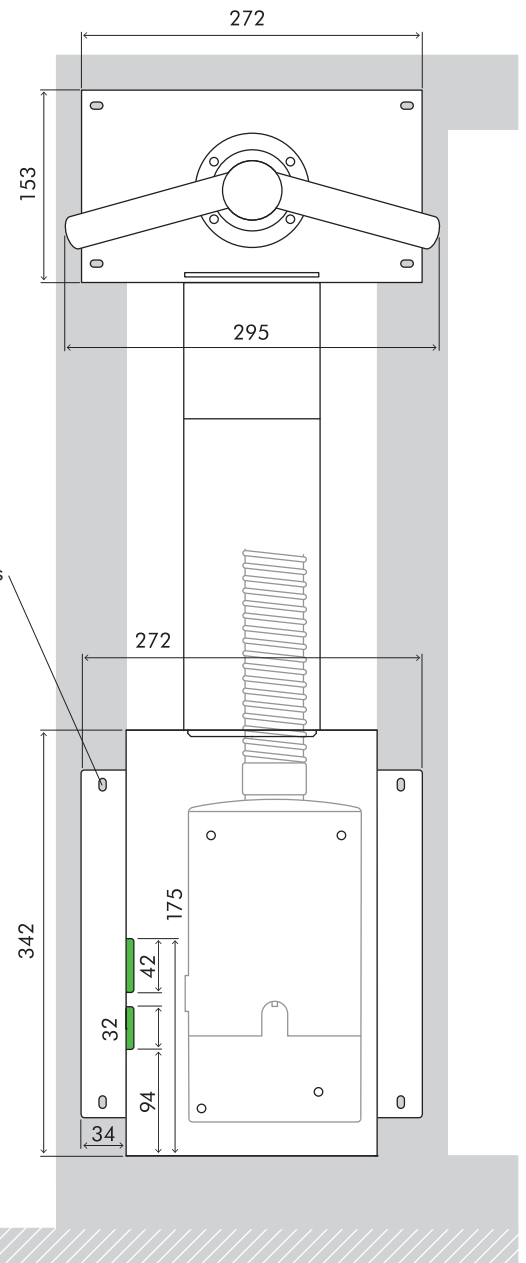
AB AB AB
09 10 11



SIDE ELEVATION



FRONT ELEVATION



FLOOR

Tap dimensions

AB11 Length 305mm Width 295mm

Motor bucket dimensions

AB11 Height 262mm Width 141mm Depth 189mm