



Technical Data Sheet-PB

PB-5 Adjustable from 230 to 315mm

COMPONENTS

The PB-5 is composed of 3 pieces
(1 PB-3 top + 1 coupler PB-C1 + 1 PB-4 base)

CHARACTERISTICS

Top: \varnothing 170mm, 227cm²

Base: \varnothing 197mm, 305cm²

Weight: 892gr

Height adjustable from 230 to 315mm

With addition of U-PH5 slope corrector, adjustable in height from 244 to 329mm and slope from 0 to 5%

MATERIAL

Copolymer polypropylene (CPP)

Composition: +/-80% first grade pre-selected recycled PPC, and +/-20% Talc + Masterbatch black

Designed and manufactured in Europe

Use of recycled materials exclusively of EU origin

Resistant to weathering, sea salts, algae and a wide range of chemicals

Temperature range: -30°C to +80°C

PACKAGING

Packaging PB-4-Base

Pieces per carton: 24pcs

Carton weight: 9,82Kg

Carton dimension: 610 x 410 x 455mm

Cartons per pallet: 25pcs

Pieces per pallet: 600pcs

Pallet dimensions: 100 x 120 x 220cm

Packaging PB-C1

Pieces per carton: 24pcs

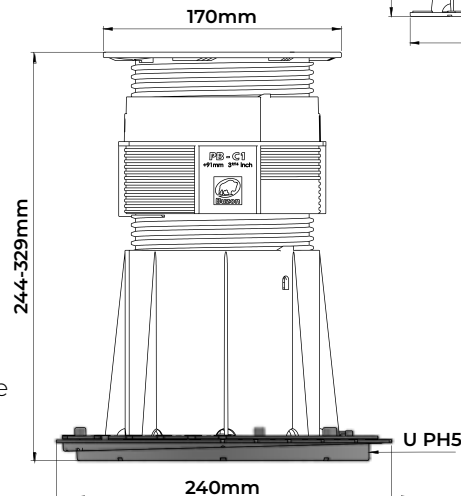
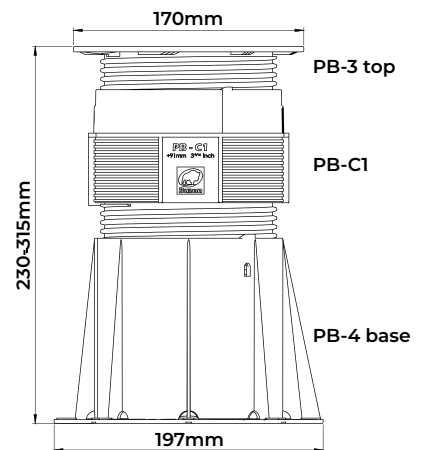
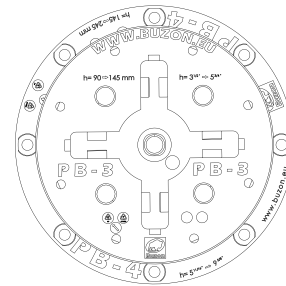
Carton weight: 7,82kg

Carton dimension: 600 x 400 x 430mm

Cartons per pallet: 25pcs

Pieces per pallet: 600pcs

Pallet dimensions: 100 x 120 x 220cm



PACKAGING

Packaging PB-4-Base

Pieces per carton: 24pcs

Carton weight: 9,82Kg

Carton dimension: 610 x 410 x 455mm

Cartons per pallet: 25pcs

Pieces per pallet: 600pcs

APPLICATIONS

Buzon pedestals can be used for a wide range of outdoor applications, such as terraces, pool decks and water features, in landscape areas and on rooftops... Finishing materials can be freely specified by the designer. Accessories are available for applications with various outdoor finishes, such as granite stone pavers, composite / timber decking, ceramic tiles and fibreglass or metal grating panels. Buzon pedestals can be installed on a wide range of solid and stable substrates, such as concrete slabs, cement screeds, waterproof membranes and insulation panels.

Batten Holder



Aluminium Rail Holder



Spacer Tabs



Thickness:
2, 3 and 4,5mm

Shims



U-E10 (T- 1mm)
U-E20 (T- 2mm)

COMPRESSION TEST*

Performed on the full (1/1), half (1/2) and quarter (1/4) surface of the head (1kN= 1kg/F= 224,8 lbF)

| Position | Height (mm) | Yield strength** (kN) | Yield strength (lbF) | Breaking load (kN) | Breaking load (lbF) |
|----------|-------------|--------------------------|-------------------------|-----------------------|------------------------|
| 1/1 | 315 | 5,2 (520kg) | 1169 | 10,37 (1037kg) | 2331 |
| 1/2 | 315 | 4,9 (490kg) | 1101 | 9,68 (968kg) | 2176 |
| 1/4 | 315 | 2,8 (280kg) | 629 | 5,42 (542kg) | 1218 |

* Tests carried out by SIRRIS

** The yield point is the stress from which a material stops deforming in an elastic, reversible manner and thus begins to irreversibly deform (ISO472 :2013)

SAFETY INSTRUCTIONS

Buzon pedestals are designed to support external raised floors for pedestrian traffic only and are not designed to support or be subjected to moving and/or vibrating machinery & equipment, including maintenance, cleaning vehicles, automobiles and other similar equipment.

sales@buzonuk.com +44 (0)20 8614 0874