

Technical data sheet

Designo R8

Top-hung timber or PVC roof window with insulation collar

The benefits at a glance

- German quality for more energy saving : high performance thermal insulation glazing and innovative energy efficiency solutions (pre-fitted insulation collar against heat loss and vapour barrier for optimal air tightness)
- Maximum convenience : one handle at the bottom of the sash for all functions including opening, ventilation and cleaning
- Quick and easy installation

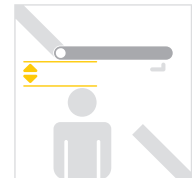


Usage : from 15° to 65°

Technical characteristics

	Designo R8 K (PVC)	Designo R8 H (Timber)
Application	Usage from 15° to 65° With assembling frame kerb flashing from 15°	Usage from 15° to 65° With assembling frame kerb flashing from 15°
Installation	Rooms to live Dry and humid rooms	Room to live Dry and humid rooms
Frame material	Four point central locking system for secure locking, even gasket compression and increased burglar-resistant security	Solid pine timber, triple-layered laminate (non warping, hydraulically glued), hydroplaned, extensive formaldehyde-free timber protection primer and final coat (water-based paint)
Interior finish	White colour similar to RAL 9016	Varnished natural pine
Locking mechanism	One handle at the bottom 4 locking points	One handle at the bottom 4 locking points
Locking mechanism for cleaning	Mechanical locking	Mechanical locking
Ventilation	2 ventilation positions via handle	2 ventilation positions via handle
Handle	One handle for all functions indexed with ergonomic curve and paint with a metallic finish	One handle for all functions indexed with ergonomic curve and paint with a metallic finish
Opening angle	45° with the possibility to limit at 30°	45° with the possibility to limit at 30°
Airtightness	Double airtightness joint	Double airtightness joint
Finish	Anthracite (R703)	Anthracite (R703)

Maximum headroom
When window open



Ventilation
Easy and practical



Easy and safe cleaning
Through self-adjusting cleaning position





The superior roof window

Available sizes

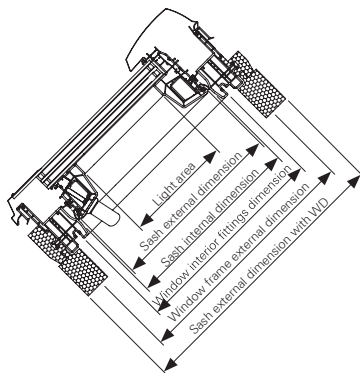
Window Size	Window Frame external dimension in mm (W x H)	Insulation collar dimension in mm (W x H)	Interior fittings dimension in mm (W x H)	Roof window light area dimension K (PVC) in mm (W x H)	Roof window light area dimension H (timber) in mm (W x H)
5/7	540/780	600/840	480/720	328/568	328/568
5/9	540/980	600/1040	480/920	328/768	328/768
7/9	740/980	800/1040	680/920	528/768	528/768
7/11	740/1180	800/1240	680/1120	528/968	528/968
7/14	740/1400	800/1460	680/1340	528/1188	528/1188
9/16	940/1600	1000/1660	880/1540	728/1388	728/1388
11/11	1140/1180	1200/1240	1080/1120	928/968	928/968



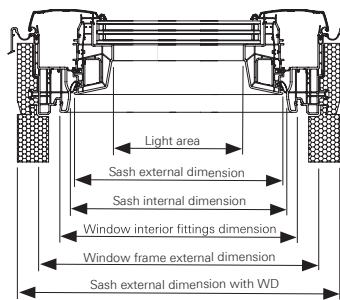
Designo R8 NE PVC – Triple glazing blueLine NE

Pre-fitted insulation collar against heat loss and vapour barrier for optimal air tightness)

Cut A-A



Cut B-B



Glazing available

Roto blueLine NE (glazing 9E)

Triple safety and thermal insulation glazing with cleaning - clean-aided

Roto blueLine (glazing 5)

Safety and thermal insulation glazing

Roof window description	Glazing type	Thermal insulating value	Sound insulation	Air permeability	Glazing thermal insulating value	Light transmission
	Standard unit Norme	U_w en W/m ² K EN 12567-2	R_w (C; C_w) EN 20140-2	EN 12207	U_g en W/m ² K EN 673	T_v EN 67507
WDF R85 H	blueLine	1,2	34 (-2; -5) dB	Classe 3	1,0	71
WDF R85 K	blueLine	1,2	34 (-2; -5) dB	Classe 3	1,0	71
WDF R89E H	blueLine NE	0,86	33 (-1; -4) dB	Classe 3	0,56	69
WDF R89E K	blueLine NE	0,84	34 (-2; -5) dB	Classe 3	0,56	69

H : Timber K : PVC

Roto

Roof window and Hardware Ltd.

Swift Point Rugby

Warwickshire CV21 1QH

Phone 01788 558600

Fax 01788 558606

info.uk@roto-frank.com



Roto technical data sheet 2012. Can be modified.