

Technical data sheet

Designo R4 RotoTronic

Roof window with electric radio control

The benefits at a glance

- Concealed drive unit
- Integrated control system for exterior/interior accessories
- Cable guide prepared for interior accessories
- Integrated triple radio receiver (on the electric radio remote "EF" version)
- Plug-in electric connection with power plug and rain sensor enclosed



Usage : from 15° to 90°

Technical characteristics

	Designo R4 rotoTronic K (PVC)	Designo R4 Rototronic H (Timber)
Application	Usage from 15° to 90° With assembling frame kerb flashing from 15°	Usage from 15° to 90° With assembling frame kerb flashing from 15°
Installation	Rooms to live Dry and humid rooms	Room to live Dry and humid rooms
Frame Material	PVC profile added with a mettalic web plate	Solid timber with multi-layer sections
Interior finish	White color similar to RAL 9016	Varnished natural pine
Locking mechanism for cleaning	Mechanical locking	Mechanical locking
Airing	By opening the window with the remote control	By opening the window with the remote control
Opening	Chain motor on the top of the window	Chain motor on the top of the window
Airtightness	Double airtightness joint	Double airtightness joint
Finish	Anthracite (R703)	Anthracite (R703)





The superior roof window

Sizes available

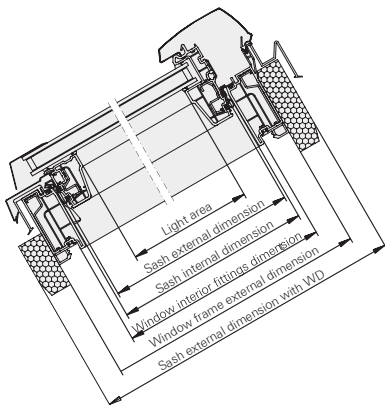
Window Size	Window Frame external dimension in mm (W x H)	Insulation collar dimension in mm (W x H)	Interior fittings dimension in mm (W x H)	Roof window light area dimension K (PVC) in mm (W x H)	Roof window light area dimension H (timber) in mm (W x H)
5/7	540/780	600/840	480/720	382/620	382/620
5/9	540/980	600/1040	480/920	382/820	382/820
6/11	650/1180	710/1240	590/1120	492/1020	492/1020
7/9	740/980	800/1040	680/920	582/820	582/820
7/11	740/1180	800/1240	680/1120	582/1020	582/1020
7/14	740/1400	800/1460	680/1340	582/1240	582/1240
11/11	1140/1180	1200/1240	1080/1120	982/1020	982/1020
13/9	1340/980	1400/1040	1280/920	1182/820	1182/820



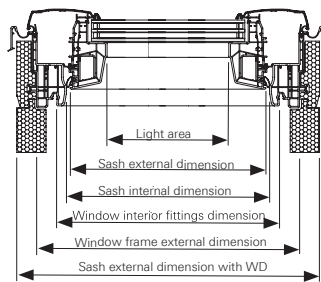
Designo R4 Rotoronic PVC

Optional pre-fitted insulation collar against heat loss and vapour barrier as standard to reduce thermal bridges and allow even greater energy savings

Cut A-A



Cut B-B



Glazing available

Roto blueLine (glazing 5)

Safety and thermal insulation glazing

Roof window description	Glazing type	Thermal insulating value	Sound insulation	Air permeability	Glazing thermal insulating value	Light transmission
	Unité Norme	U_w en W/m^2K EN 12567-2	R_w (C_1 ; C_2) EN 20140-2	EN 12207	U_g en W/m^2K EN 673	TL EN 67507
WDF R45 K	blueLine	1.4	32 (-1; -4) dB	Classe 3	1.0	71
WDF R45 K WD	blueLine	1.3	32 (-1; -4) dB	Classe 3	1.0	71
WDF R45 H	blueLine	1.5	32 (-1; -4) dB	Classe 3	1.1	71
WDF R45 H WD	blueLine	1.3	32 (-1; -4) dB	Classe 3	1.1	71

H : timber K : PVC

Roto

Roof window and Hardware Ltd.

Swift Point Rugby
Warwickshire CV21 1QH

Phone 01788 558600
Fax 01788 558606
info.uk@roto-frank.com



Roto technical data sheet 2012. Can be modified.