

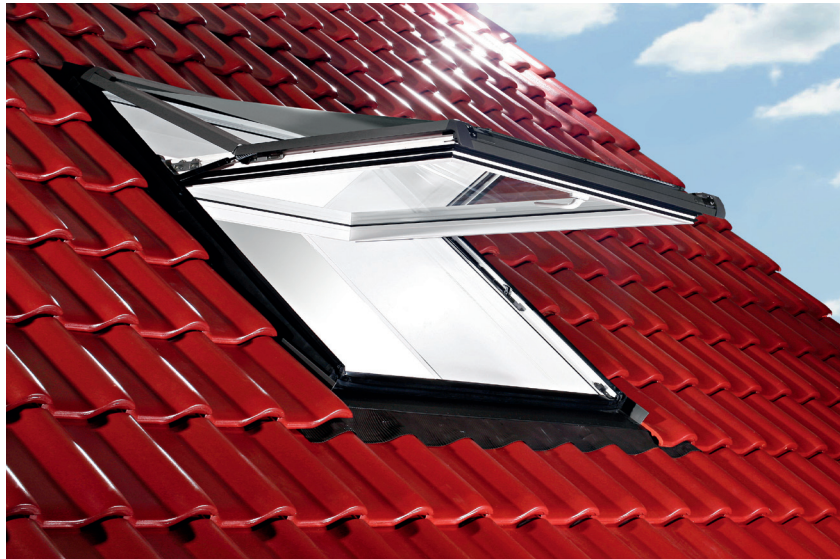
Technical data sheet

Designo R7

Top-third pivot timber or PVC roof window

The benefits at a glance

- Safety glass on the outside, thermal insulation glass on the inside
- Anthracite-metallic special-effect paint - fits in harmoniously with the roof tile colour
- High pivot axis - plenty of headroom and bottom positioned one-handed operation handle for all functions
- Quick and easy installation



Usage : from 15° to 65°

Technical characteristics

	Designo R7 K (PVC)	Designo R7 H (Timber)
Application	Usage from 15° to 65° With assembling frame kerb flashing from 15°	Usage from 15° to 65° With assembling frame kerb flashing from 15°
Installation	Rooms to live Dry and humid rooms	Room to live Dry and humid rooms
Frame material	Thermally optimised multi-chambered profile made of enhanced impact resistant and low-maintenance PVC, Reinforcements made of zinc-plated, steel profiles, completely recyclable	Solid pine timber, triple-layered laminate (non warping, hydraulically glued), hydroplaned, extensive formaldehyde-free timber protection primer and final coat (water-based paint)
Interior finish	White colour similar to RAL 9016	Varnished natural pine
Locking mechanism	One handle at the bottom 3 locking points	One handle at the bottom 3 locking points
Locking mechanism for cleaning	Mechanical locking	Mechanical locking
Ventilation	Night ventilation via handle locking point	Night ventilation via handle locking point
Handle	One handle at the bottom in lacquered white aluminium (RAL 9006)	One handle at the bottom in lacquered aluminium (RAL 9006)
Opening angle	38°	38°
Airtightness	Double airtightness joint	Double airtightness joint
Finish	Anthracite (R703)	Anthracite (R703)

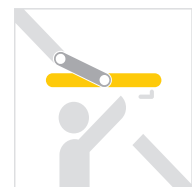
Plenty of headroom

Top-third pivot point



Ventilation

Easy and practical



Easy and safe cleaning

In cleaning position





The superior roof window

Available sizes

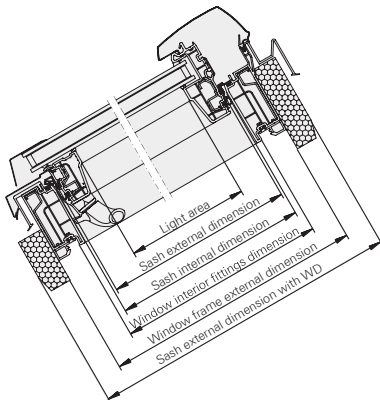
Window Size	Window Frame external dimension in mm (W x H)	Insulation collar dimension in mm (W x H)	Interior fittings dimension in mm (W x H)	Roof window light area dimension K (PVC) in mm (W x H)	Roof window light area dimension H (timber) in mm (W x H)
5/7	540/780	600/840	480/720	382/620	382/620
5/9	540/980	600/1040	480/920	382/820	382/820
5/11	540/1180	600/1240	480/1020	382/1020	382/1020
6/11	650/1180	710/1240	590/1120	492/1020	492/1020
7/9	740/980	800/1040	680/920	582/820	582/820
7/11	740/1180	800/1240	680/1120	582/1020	582/1020
7/14	740/1400	800/1460	680/1340	582/1240	582/1240
7/16	740/1600	800/1660	680/1540	582/1440	582/1440
9/14	940/1400	1000/1460	880/1340	782/1240	782/1240
11/9	1140/980	1200/1040	1080/920	982/820	982/820
11/11	1140/1180	1200/1240	1080/1120	982/1020	982/1020
13/9	1340/980	1400/1040	1280/920	1182/820	1182/820
13/14	1340/1400	1400/1460	1280/1340	1182/1240	1182/1240



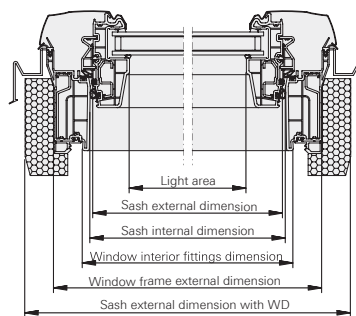
Designo R7 PVC

Optional pre-fitted insulation collar against heat loss and vapour barrier as standard to reduce thermal bridges and allow even greater energy savings

Cut A-A



Cut B-B



Glazing available

Roto blueLine (glazing 5)

Safety and thermal insulation glazing

Roof window description	Glazing type	Thermal insulating value	Sound insulation	Air permeability	Glazing thermal insulating value	Light transmission
	Standard unit Norme	$U_{W, en}$ W/m ² K EN 12567-2	R_w (C; C _v) EN 20140-2	EN 12207	U_g en W/m ² K EN 673	T_v EN 67507
WDF R75 K	blueLine	1,4	32 (-1; -3) dB	Classe 3	1,0	71
WDF R75 K WD	blueLine	1,3	32 (-1; -3) dB	Classe 3	1,0	71
WDF R75 H	blueLine	1,5	32 (-1; -4) dB	Classe 3	1,1	71
WDF R75 H WD	blueLine	1,3	32 (-1; -4) dB	Classe 3	1,0	71

H : timber K : PVC

Roto

Roof window and Hardware Ltd.

Swift Point Rugby
Warwickshire CV21 1QH

Phone 01788 558600
Fax 01788 558606
info.uk@roto-frank.com



Roto technical data sheet 2012. Can be modified.