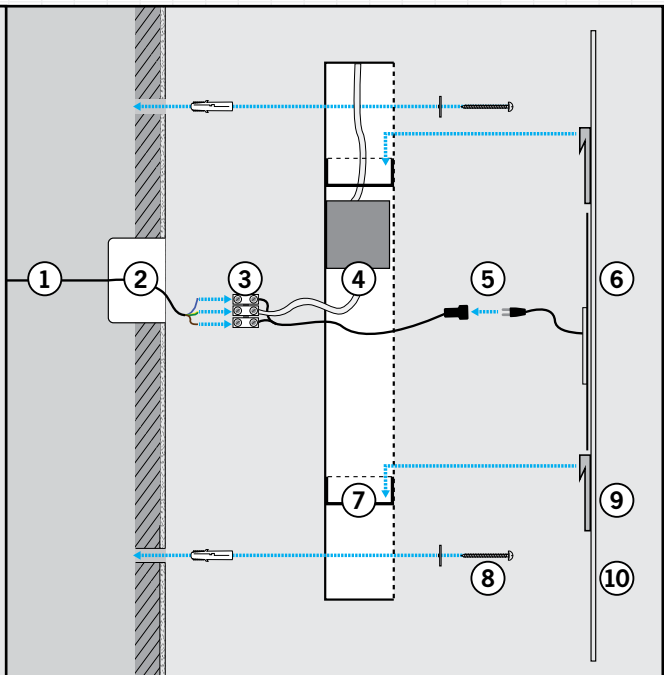
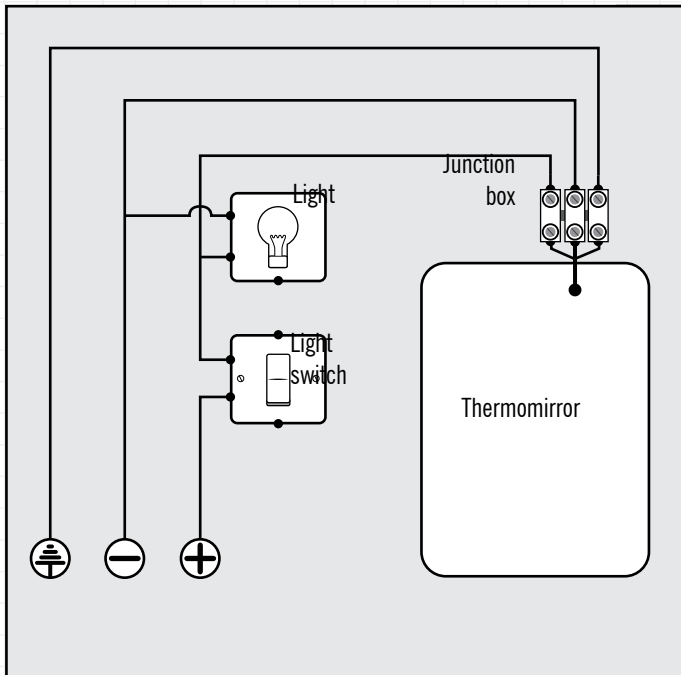


Installation Guide: Thermomirror Backlit (5450, 5452 & 5456)



Step 1: Plan the installation & layout

Turn off the mains supply. Thermomirror requires a mains supply, junction box and a switch or PIR motion sensor.

Measure, mark out and install all the necessary items before you install Thermomirror. If necessary chase into the wall to accommodate fixtures and wires. Thermomirror should be wired into an existing lighting circuit, however you can connect to a PIR sensor if required.

Step 2: Fix wall brackets to wall

Place the wall bracket on the wall central to your desired final position, use a spirit level for a quality finish. Whilst in position mark the four fixing holes. Remember to position your Thermomirror connection box and power cable in the closest available position to the junction box

Drill pilot holes on the four marked points and insert rawl plugs. Line up the wall mount and screw the rawl plugs into the wall.

PRO TIP

The heated mirror can be installed directly on to masonry walls. Walls must be dry, stable and smooth.

PRO TIP

When installing onto stud walls fix brackets to studs or noggins.

Key:

- ① Wall & mains supply
- ② Back box
- ③ Junction box
- ④ Transformer
- ⑤ Mirror connections
- ⑥ Heating element
- ⑦ Wall bracket
- ⑧ Screw, washer & rawl plug
- ⑨ Mirror bracket
- ⑩ Thermomirror

Step 3: Wire to mains supply

Pull the mains supply cable through and connect to the junction box.

Step 4: Hang mirror onto wall brackets

Connect the wall bracket to the mirror via the mirror connections (black cable), they should simply slot together.

Line up your mirror above the wall bracket and gently lower the mirror until you can feel the wall bracket take the weight of the mirror. You can now switch back on your mains supply.

Checklist:

- INSTALL BACK BOX
- PLAN AND MEASURE INSTALLATION
- FIT THE WALL BRACKET SECURELY AND IN THE CORRECT ORIENTATION
- CHASE A GROOVE TO RECESS WIRES
- ENSURE ALL CONNECTIONS ARE SAFE AND SECURE

! IMPORTANT SAFETY PRECAUTIONS !

- ENSURE ALL TILE ADHESIVE AND GROUTS IS FULLY CURED BEFORE INSTALLING YOUR THERMOMIRROR
- ALL ELECTRICAL WORK MUST CONFORM TO CURRENT IEE WIRING REGULATIONS AND BE CHECKED OR CARRIED OUT BY A QUALIFIED ELECTRICIAN
- THERMOMIRROR SHOULD NEVER BE CUT OR DAMAGED

Installation Guide: Thermomirror Backlit (5450, 5452 & 5456)

Technical Specification			
Stock Number	Size (mm)	Voltage	Output
5450	610 Ø	240V	18W
5452	H 775 x W 775 x D 42	240V	78W
5426	H 711 x W 1016 x D 42	240V	96W

CONTACT US ONLINE



Browse our full product range, watch videos, download product literature and get a quote, all on the Thermogroup UK website.

WWW.THERMOGROUPUK.COM

CONTACT US BY PHONE



Got a question or query? Call our UK support line free from your land line.
Open 07:30 – 16:30 Mon - Fri

0800 019 5899

CONTACT US BY MAIL



Need to find us or want to write a letter to say hello? Feel free to contact us at Bridge House.

**Thermogroupuk, Bridge House,
Hop Pocket Lane, Paddock Wood,
Kent. TN12 6DQ.**

TMIG3_A4_050213.PDF



Thermogroupuk



**Thermogroup UK
Bridge House
Hop Pocket Lane
Paddock Wood
Kent
TN12 6DQ**

0800 019 5899

sales@thermogroupuk.com

www.thermogroupuk.com

E&OE © Thermogroup UK 2012