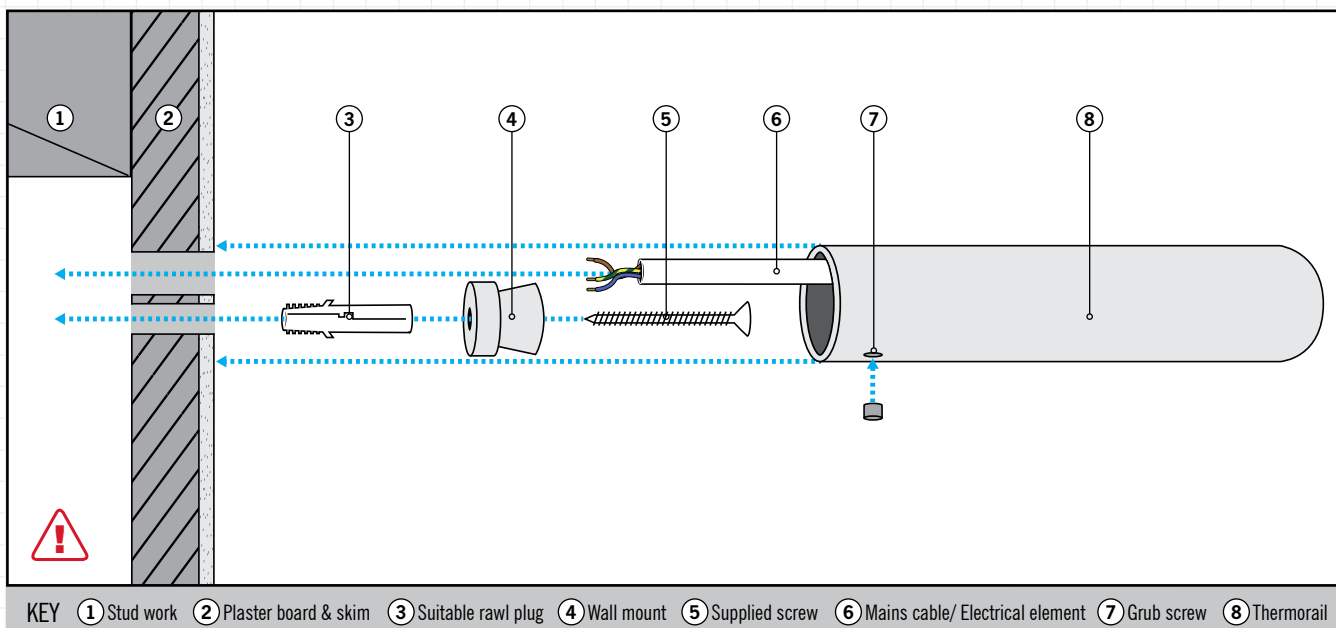


## Thermorail Installation Guide: 12V Single Rail (7086 & 7087)



### Thermorail: Single rail installation

This guide shows installation of two rails. Single or multiple rails can be installed together in any configuration and must be wired in parallel (see wiring diagram). Some pre-wiring in the wall cavity or ceiling is required. Connect the transformer to the mains supply in accordance with current local building regulations.

#### Step 1: Plan your installation

First, decide which side you want to connect the electrical supply to and allocate the mains wall bracket to this side (if a change in sides is required unscrew and reverse the electrical element).

Remove the wall bracket from the opposite side of the rail by releasing the grub screws with the allen key provided.

#### Step 2: Install two wall brackets

Measure and mark out bracket positions making sure they are level. Drill one pilot hole for each of the two wall brackets and an extra hole for the mains supply on your chosen side. Insert suitable rawl plugs. Now fix the two wall brackets in place using a screwdriver and screws.

#### Step 3: Electrical connections

Ensure your electrical supply is switched off. Push the mains cable through the hole in the wall and connect to the transformer previously installed (refer to the wiring diagram opposite).

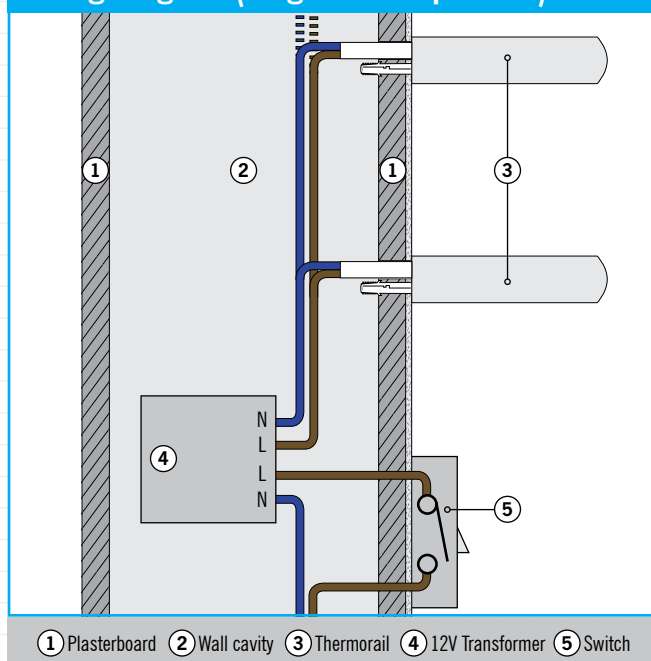
#### Step 4: Fix Thermorail to the wall

Offer up the Thermorail to the mounting brackets installed on the wall. You may need assistance to hold the rail in place. Tighten the grub screws on the two wall mount arms using the allen key provided.

### Maintenance: Cleaning

The polished stainless steel finish of your Thermorail heated towel rail is hard wearing and easy to maintain. However any harsh scrubbing, scratching or acid based cleaning products will damage the surface of your towel rail. Cleaning with a soft clean cloth and a non abrasive cleaning agent will give the best results.

### Wiring Diagram (Single & multiple rails)



### Final Checklist

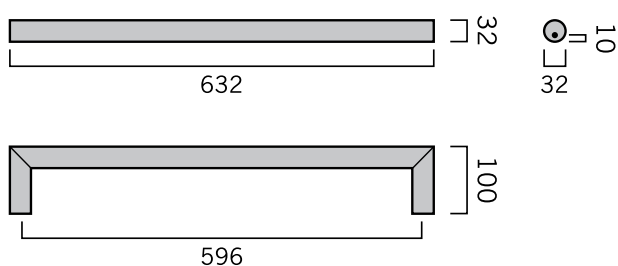
- SELECT A PREFERRED SIDE FOR YOUR WIRING
- CORRECTLY MEASURE AND DRILL PILOT HOLES, THEN INSTALL RAWL PLUGS
- READ MAINTENANCE & CLEANING SECTION, THIS IS IMPORTANT TO AVOID DAMAGING THE THERMORAIL
- CHECK ALL WALL BRACKETS & CONNECTIONS ARE SAFE AND SECURE

### ! IMPORTANT SAFETY PRECAUTIONS !

- ENSURE ALL ELECTRICAL WORKS ARE CARRIED OUT BY A QUALIFIED ELECTRICIAN
- THESE TOWEL RAILS MUST BE USED WITH THE SUPPLIED TRANSFORMER AND CANNOT BE CONNECTED DIRECTLY TO A 240V SUPPLY
- THIS PRODUCT IS IP44 RATED AND SHOULD BE INSTALLED IN LINE WITH ALL APPROPRIATE BUILDING REGULATIONS

## Thermorail Installation Guide: 12V Single Rail (7086 & 7087)

### Thermorail Circular rail (7086) dimensions

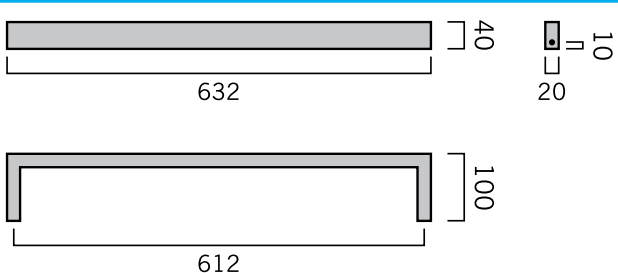


Thermorail	Measurement Key (mm)				
	Stock Number	Height	Width	Depth	Between brackets
7086		32	632	100	596

### Technical Specification

Stock Number	Heat Output	Voltage
7086	18W	12V

### Thermorail Square rail (7087) dimensions



Thermorail	Measurement Key (mm)				
	Stock Number	Height	Width	Depth	Between brackets
7087		40	632	100	612

### Technical Specification

Stock Number	Heat Output	Voltage
7087	23W	12V

### CONTACT US ONLINE



Browse our full product range, watch videos, download product literature and get a quote, all on the Thermogroup UK website.

[WWW.THERMOGROUPUK.COM](http://WWW.THERMOGROUPUK.COM)

### CONTACT US BY PHONE



Got a question or query? Call our UK support line free from your land line.  
Open 07:30 – 16:30 Mon - Fri

**0800 019 5899**

### CONTACT US BY MAIL



Need to find us or want to write a letter to say hello? Feel free to contact us at Bridge House.

**Thermogroupuk, Bridge House,  
Hop Pocket Lane, Paddock Wood,  
Kent. TN12 6DQ.**



**Thermogroupuk**

SUSTAINABLE HEATING SOLUTIONS

**Thermogroup UK  
Bridge House  
Hop Pocket Lane  
Paddock Wood  
Kent  
TN12 6DQ**

**0800 019 5899**

[sales@thermogroupuk.com](mailto:sales@thermogroupuk.com)

[www.thermogroupuk.com](http://www.thermogroupuk.com)

E&OE © Thermogroup UK 2012