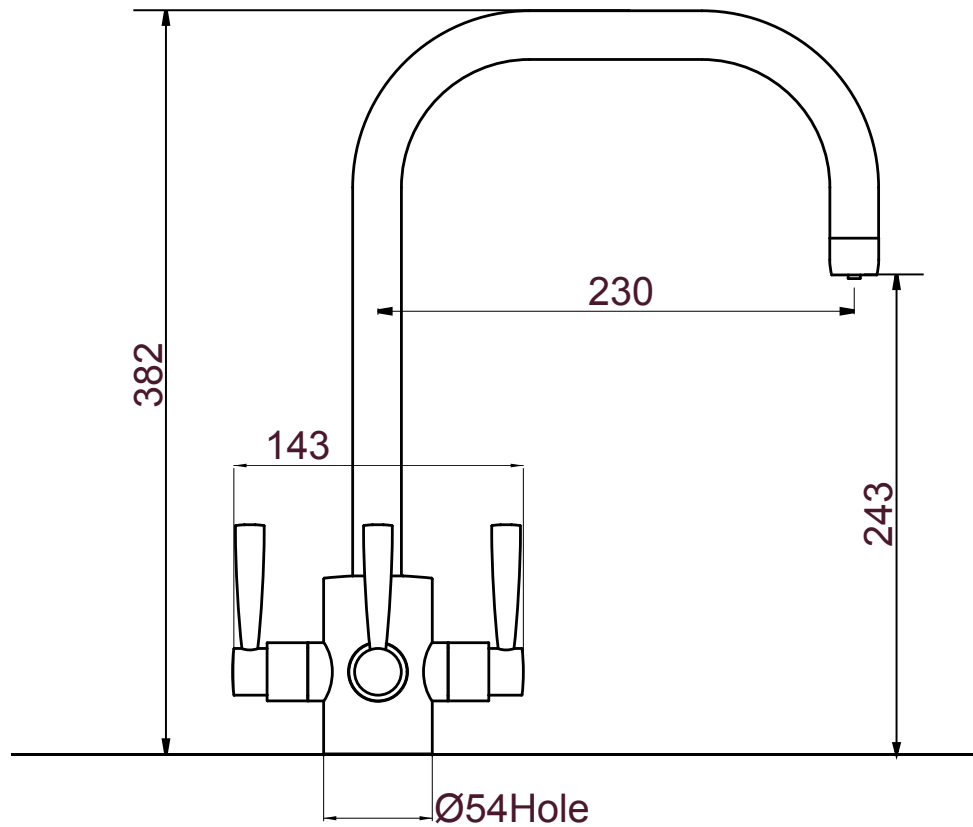




SPECIFICATION

MODEL: TF-KT33U

- Stainless Steel Filter Housing
- 1/4 Turn Valves
- Flexible Connections
- Swivel Spout



TEMP RANGE:

Min1°C/34°F

Max85°C/185°F

AVAILABLE FINISHES:

Chrome

Pewter

Nickel

RECOMMENDED WORKING PRESSURE:

Min1.7bar/25.5psi

Max5bar/75psi

ALTERNATIVE OPTIONS :

Sink Mixer with 'C' Spout (TF-KT33C)

Sink Mixer with 'C' Spout and Rinse (TF-KT33CR)

Sink Mixer with 'U' Spout and Rinse (TF-KT33UR)

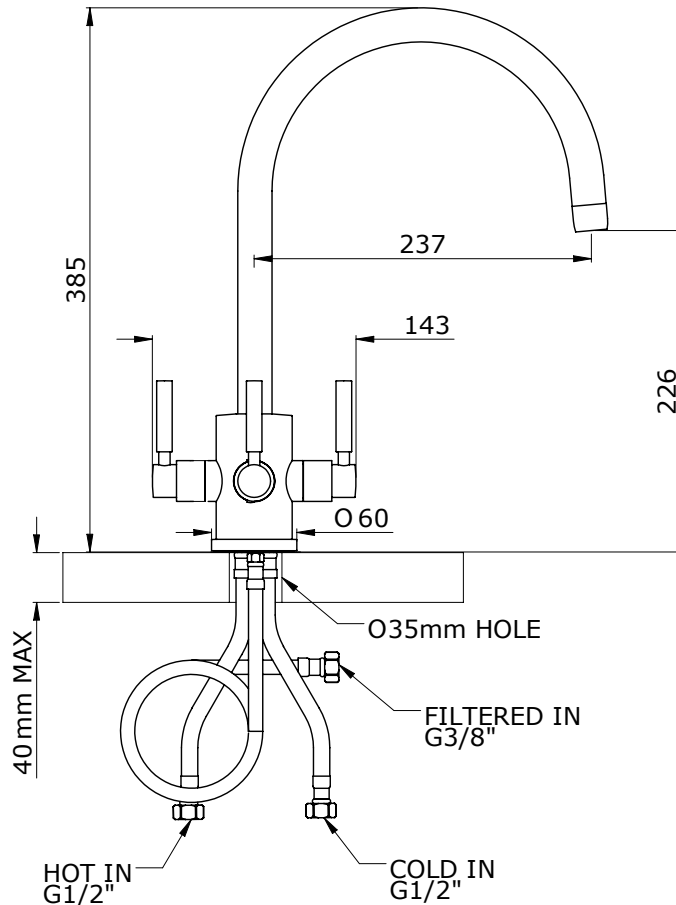
TRIFLOW CONCEPTS BACK TO TAP



SPECIFICATION

MODEL: TF-KT33C

- Stainless Steel Filter Housing
- 1/4 Turn Valves
- Flexible Connections
- Swivel Spout



TEMPERATURE RANGE:

Min: 1°C / 34°F
Max: 75°C / 167°F

AVAILABLE FINISHES:

Chrome
Nickel
Pewter

RECOMMENDED WORKING PRESSURE:

Min: 1.5 bar
Max: 5 bar

ALTERNATIVE FORMATS:

Kitchen Triflow + Rinse
Sink Mixer
Sink Mixer + Rinse