

# DALIS PRO

Air-to-water heat pump & storage tank for domestic hot water

## CHARACTERISTICS

- Designed to work with renewable energy sources
- Highest efficiency class: A+
- Model with heat exchanger for connection to other energy sources like solar PV
- Digital control panel with LCD screen
- Tank: 5 years guarantee
- Electronics: 2 years guarantee



Energy classification **A+**

# WATER HEATING

## PRODUCT INFORMATION

MODELS	With heat exchanger		Without heat exchanger	
	DWI200DHWI5	DWI260DHWI5	DWI200DHW5	DWI260DHW5
Volume (L)	200	260	200	260
Power supply (V [Hz])	1 / N / 230 (50)	1 / N / 230 (50)	1 / N / 230 (50)	1 / N / 230 (50)
Nominal power (W)	1,500	1,500	1,500	1,500
Maximum absorption (kW)	2.163	2.163	2.163	2.163
Average heat pump consumption (kW) <sup>1</sup>	0.43	0.466	0.43	0.466
Thermal power yield; prated (kW)	1.1	1.2	1.1	1.2
Coefficient of Performance (COP) <sup>2</sup>	2.8	3.0	2.8	3.0
Heating time (hrs:min)	08:59	10:15	08:59	10:15
Heating time in Boost (hrs:min)	03:47	04:21	03:47	04:21
Maximum settable temperature	75°C	75°C	75°C	75°C
Annual electricity consumption (kWh) <sup>3</sup>	867	1,355	867	1,355
<b>DIMENSIONS</b>				
Diameter x height (mm)	600 x 1,721	600 x 2,011	600 x 1,721	600 x 2,011
<b>CHARACTERISTICS</b>				
Empty weight (kg)	121	128	105	110
Weight when water filled (kg)	321	388	305	370
Heat exchanger for auxiliary source (solar etc.)	Yes	Yes	No	No
Internal solar coil (m <sup>2</sup> )	1	1.2	-	-
Finishes	Grey			
<b>TRADE PRICE</b>	<b>£ 2,307</b>	<b>£ 2,320</b>	<b>£ 2,163</b>	<b>£ 2,175</b>

<sup>1</sup> Condition EN16147:2017 A7/W55. <sup>2</sup> Condition EN16147:2017 A7/W55. <sup>3</sup> Climate condition EN16147:2017 average.

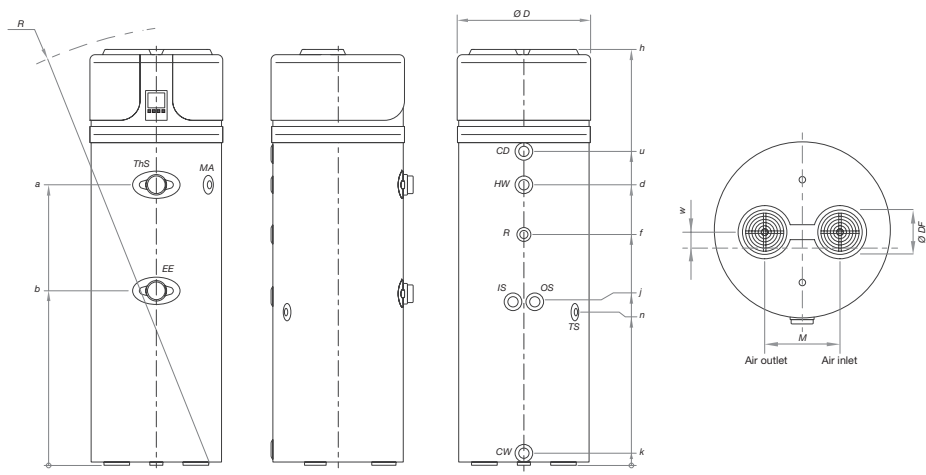
TECHNICAL INFORMATION	
Submerged heating element	✓
Enamelled steel tank	✓
Magnesium anode protector	✓
Insulation: 50mm rigid polyurethane foam	✓
4-way valve defrosting	✓
Maximum working pressure (bar)	8
Protection Grade	IPX4
Compressor	Rotary
Centrifugal fan	✓
Ejection outlet diameter (mm)	160
Nominal air capacity	314 m <sup>3</sup> /h
Sound power (dB)	53
Refrigerant	R134a
Refrigerant (load)	880 gr
Energy classification	A+

INSTALLATION	
Installation position	Vertical
Installation kit required (sold separately)	✓
FUNCTIONS	
Thermal circuit breaker with auto reset	✓
Min. ÷ max. temperature air intake	-10 ÷ 43 °C
Auto / Boost mode	✓
SAFETY	
Safety thermostat with manual reset	✓
Automatic anti-legionella cycle	✓
REGULATIONS & GUARANTEES	
2004/108/CE Electromagnetic comp.	✓
2006/95/CE Low voltage directive	✓
Guarantee on tank	5 years
Guarantee on electronics	2 years

Rointe efficient heating



## DIMENSIONS & CONNECTIONS



CONNECTIONS	With heat exchanger	Without heat exchanger
CW	Cold water inlet G 1"	G 1"
HW	Hot water outlet G 1"	G 1"
IS	Heat exchanger input G 1"	-
OS	Heat exchanger output G 1"	-
TS	Thermo pocket level 1 G 1/2"	-
R	Recirculation G 3/4"	G 3/4"
EE	Opening for electric element G 1 1/2"	G 1 1/2"
CD	Condense drainage G 3/4"	G 3/4"
ThS	Thermal safety thermostat -	-
MA	Magnesium anode G 1 1/4"	G 1 1/4"

Thread designations according to EN ISO 228-1

DIMENSIONS	With heat exchanger		Without heat exchanger	
	DWI200DHWI5	DWI260DHWI5	DWI200DHW5	DWI260DHW5
h (mm)	1,720	2,010	1,720	2,010
a (mm)	994	1,285	994	1,285
b (mm)	724	834	724	834
d (mm)	995	1,285	995	1,285
f (mm)	803	1,064	803	1,064
j (mm)	681	781	-	-
k (mm)	60	60	60	60
n (mm)	681	766	681	766
u (mm)	1,153	1,440	1,153	1,440
w (mm)	58	58	58	58
M (mm)	260	260	260	260
Ø DF (mm)	160	160	160	160
R (mm)	1,785	2,055	1,785	2,055
Ø D (mm)	630	630	630	630

## DALIS INSTALLATION KIT

It is **mandatory** for all models of unvented domestic hot water heaters to be installed with an installation kit. This kit is composed of:



MODELS	KITKW03
Compatible with	200 / 260 L
<b>CHARACTERISTICS</b>	
Expansion vessel	18 litres (0.1 Mpa)
Tundish	15 - 25 mm
Pressure reducing valve	0.35 Mpa
Relief valve	0.60 Mpa
<b>TRADE PRICE</b>	<b>£ 170</b>

DETAILS OF THE INSTALLATION	
1	Mains cold water supply
2	Stop cock (not supplied)
3	Pressure reducing valve (included)
4-5	Check valve - Expansion relief valve (included)
6	Discharge pipe 22 mm
7	Drain cock (not supplied)
8	Tundish (included)
9	Expansion vessel (included)
10	T/P relief valve (included)
11	Electrolytic fittings (included)

