

VENTAM SYSTEMS LTD

Unit D4, Seedbed Business Centre

Vanguard Way, Shoeburyness

Essex, SS3 9QY

Phone 01702 382307 Fax 01702 382340



PR1-51-A Current Monitor

This current monitor measures the current flowing across terminals B1 and B2.

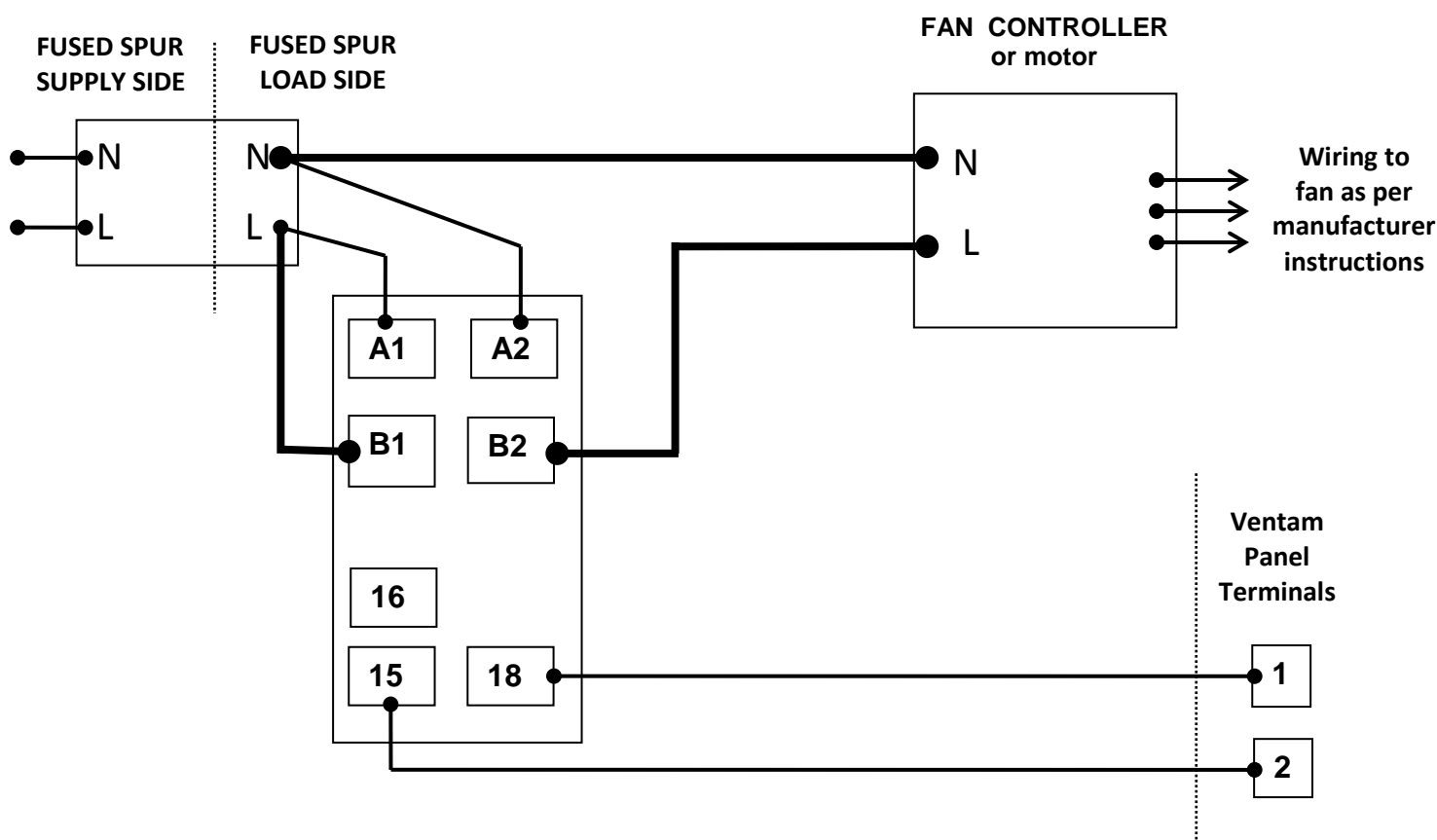
The motor supply is connected to B1.

The motor load is connected to terminal B2.

Isolate power supply before commencing works. Now check it is isolated again.

- 1 Wire the fan speed controller output terminals to the fan as per manufacturer's instructions.
- 2 Wire in the current monitor as shown in the diagram below.
- 3 Set the current monitor to trip the gas supply at the required fan setting by adjusting the I_{max} potentiometer on the current monitor.
- 4 Set the t(s) potentiometer to zero.
- 5 Ensure that adequate cable size is used for the load.

- A1 is to be wired to the fused spur live terminal. This is the power supply to the current monitor.
- A2 is to be wired to the fused spur Neutral terminal.
- B1 is wired to fused spur live terminal. This is the supply to the fan motor.
- B2 is wired to the speed controller live supply terminal only or direct to the motor if no controller is used.



Three phase motor monitoring.

IMPORTANT

- To monitor one phase of a three phase fan with this monitor use the same phase for supply to terminal A1 and supply to terminal B1. Regulation cable sizes must be used.
- Fit a 1 Amp fuse or breaker in the supply to the current monitor.
- The load must be connected to B2.
- The monitor **MUST** be fitted adjacent to the fan controller/isolator and **NOT** in the Ventam Panel.
- **ENSURE CORRECT RATING MONITOR IS USED TO SUIT MAXIMUM LOAD OF MOTOR.**