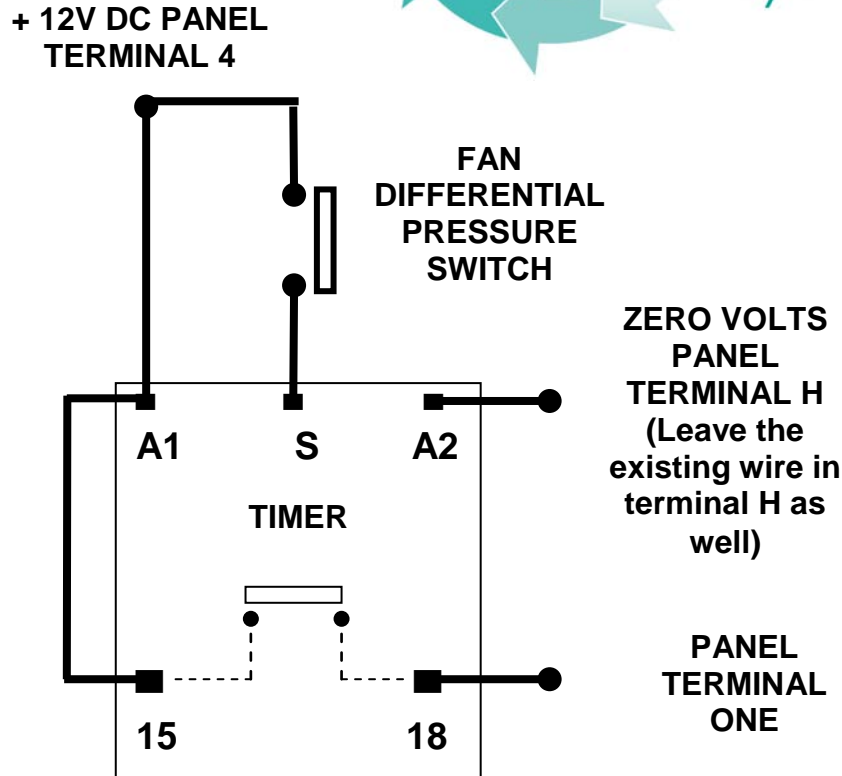


VENTAM SYSTEMS LTD
Unit D4, Seedbed Business Centre
Vanguard Way, Shoeburyness
Essex, SS3 9QY
Phone 01702 382307
Fax 01702 382340



IF YOU HAVE MORE THAN ONE FAN PRESSURE SWITCH, PUT ALL OF THEM IN SERIES BETWEEN TIMER TERMINAL S AND PANEL TERMINAL 4

ETI TIMER CRM 91H

TIMER SETTINGS; (TIME DELAY OFF = 10 SECONDS)

TIME MUST BE SET TO S=10

MIDDLE DIAL MUST BE SET TO 1 (10 SECONDS)

FUNCTION MUST BE SET TO FUNCTION E

- Principle of operation;
- Timer power supply is A1 positive 12VDC, A2 negative.
- S is the timer sense terminal.
- 15 and 18 are normally open timer contact.
- For the panel to register "Fans ON", 12VDC must be present at panel terminal 1.
- When the fan pressure switch contact is open, 12VDC is NOT present at sense terminal S and the switch contact 15& 18 is open.
- When the fan pressure switch contact closes, 12VDC is switched to S which sets the timer and closes the contact 15 & 18. This causes panel to see "Fans ON".
- If the fan contact subsequently opens, the timer will start to "time out" for 10 seconds. After this 10 second delay the timer contact will open and the gas will turn off.
- If the fan contact opens and then closes again within ten seconds, the timer contact will stay closed, keeping the gas on.