



POINT-FIXED VETROSLIDE ALL-GLASS SLIDING DOOR SYSTEM

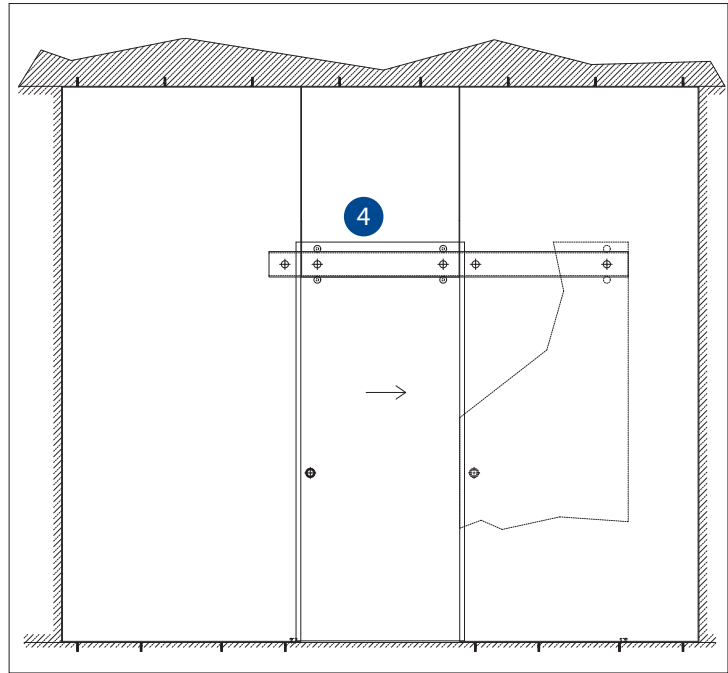
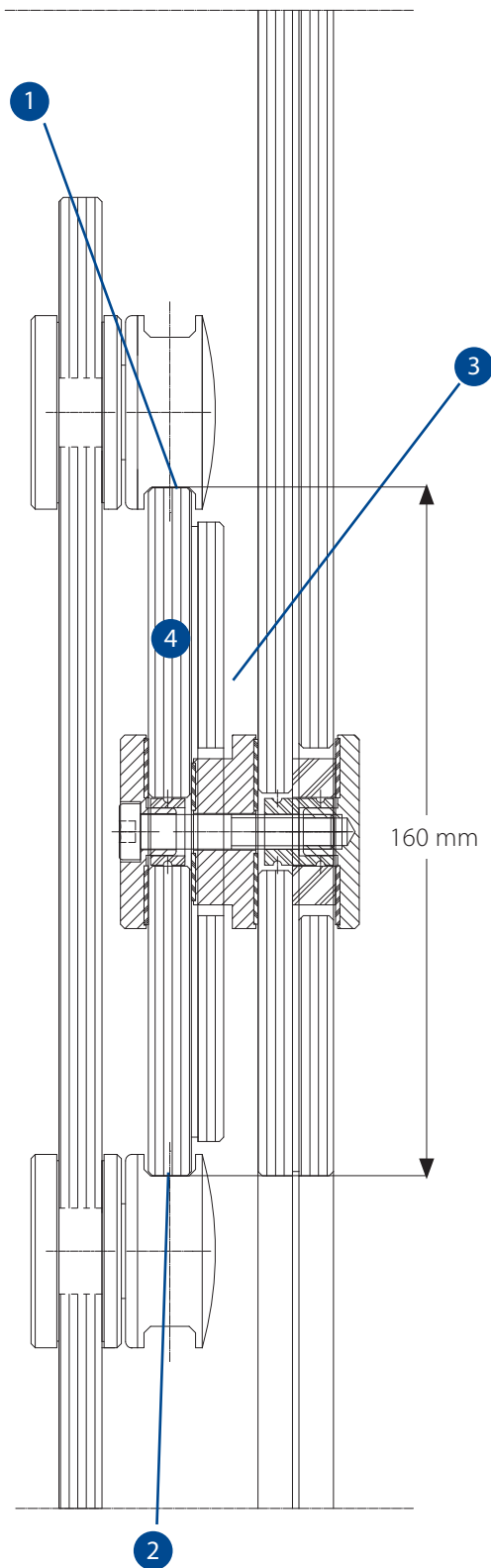
for maximum transparency

Awarded the:



reddot design award
winner 2009

Cross section of the GEZE all-glass sliding door system



- 1 The ball-bearing supported stainless steel rollers with their plastic contact surface slide almost silently over the glass.
- 2 Underneath the track, the carrier rollers fulfil the function of a lift protection and protect the sliding leaf against damages.
- 3 In addition to the highest possible transparency, the point-fixed glass track offers also the requested safety due to its sandwich structure.
- 4 The maximum sword length is 2500 mm. This results in a maximum possible "clearance passage width" of 1000 mm.

The point-fixed glass sword carries the sliding door and fanlight (top drawing).

GEZE VETROSLIDE

All-glass sliding-door system

Maximum transparency



With Vetroslide GEZE offers a maximum of transparency for sliding door systems and sets new standards: The track is now no longer stainless steel, but rather a point-fixed “glass sword”.

The sliding leaves are also held with point-fixed rollers – filigree, small and fine. Less is more in this case: as a result, the optical effect of the top-quality fittings is even larger.

Visible fittings are thus reduced to a minimum. However not at the expense of functionality and safety. The sliding door slides almost silently over the glass track. Manufactured from laminated glass and due to the “sandwich structure”, it maintains its function even if completely destroyed.

The door leaf is guided by ball-bearing supported stainless steel rollers with a sliding surface of extremely durable plastic. A short stainless steel

floor guide with felt inserts additionally ensures quiet running.

At the end positions the door is stopped by special floor stoppers and safely kept in place.

The modular construction of the all-glass sliding doors opens up almost unlimited design possibilities. In private homes or the interior design of office buildings, hotels, surgeries or sales rooms for example.

Vetroslide systems are not available “ready-made”. Each system is tailored to meet the individual requirements. However, GEZE offers for this system a wide range of prepared and already statically tested variations. The all-glass fittings can be easily and quickly pre-mounted. Vetroslide enables the use of sliding leaves of up to 80 kg with toughened or laminated safety glass.

Exemplary accessories
from the GEZE sliding door range:



Rod handle



Handle recess

GEZE VETROSLIDE

All-glass sliding-door system

Alongside VETROSLIDE, the probably most transparent sliding door system in the world, GEZE also offers an entire range of high-quality system solutions for sliding concepts:

► **ROLLAN 40/80**

The quiet roller sliding system for sliding concepts in small spaces is designed for single and multi-leaf door systems with sliding elements of 40 to 80 kg.

► **PERLAN 140**

The multi-talent under the roller sliding system for single, multiple and synchronous wooden and glass sliding doors in the widest of varieties is suitable for both wall and ceiling fixture and for leaf weights of up to 140 kg.

► **AEROLAN**

The elegant stainless steel design fitting for wall and ceiling installation enables flexible use. Whether it be wooden or glass, frame or skirting boards, the Aerolan set fits all sliding doors and elements up to 105 kg.

► **GEOLAN**

Geolan is the ideal solution for lightweight construction walls and suspended ceilings. The elegant stainless design fitting with freely visible rollers rides on a floor mounted rail and enables the use of heavy sliding doors with a weight of up to 135 kg in lightweight constructions.

► **LEVOLAN**

The sliding door system with the invisible glass clamping system can carry all glass doors with a weight of up to 150 kg without additional gluing.

GEZE GmbH

Reinhold-Vöster-Straße 21-29

71229 Leonberg

Deutschland

Telefon: +49 (0) 7152-203-0

Telefax: +49 (0) 7152-203-310

Email: vertrieb.services.de@geze.com

www.geze.com