

WC FLUSHVALVE KIT

Mains Power

WC03-036

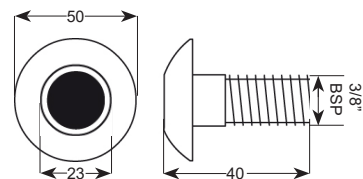
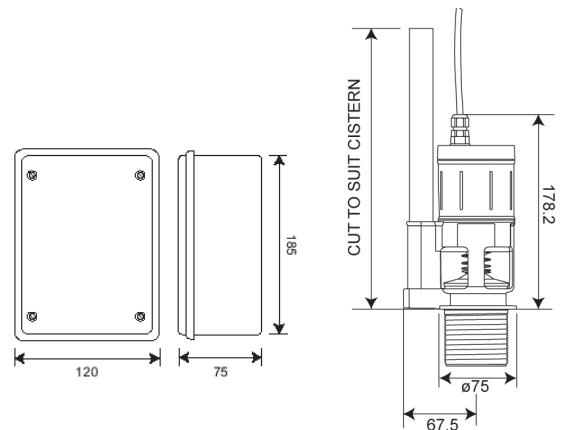
The DVS No-touch WC flushing system is an electronically operated drop valve which replaces the traditional syphon and delivers a measured volume of water from the cistern to the lavatory bowl.

PRODUCT NUMBER

WC03-036 WC Flushvalve Kit - Standard Mains

TECHNICAL DATA

Flushvalve:	WC01-022	
Weight	1.05 kg	
Material	ABS Plastic	
Power supply	Through WC control box	
Outlet size	1 1/2"	
Internal overflow	Yes	
Type of operation	Sensor operation or Tactile button	
Type of mounting	WC flush valve	
Functional principle	Electronic self closing	
Failsafe close	Yes	
Control Box:	WC00-010	
Weight	1.0 kg	
Material	ABS Plastic	
Run Times	0.25 - 6.75 seconds	
Power source	Mains	
IP rating	54	
Amps	0.07A (MAX)	
Frequency	50Hz	
Voltage	6V DC	
Wave On Sensor:	AC02-009	
Material	Sensor - ABS	Bezel - Chromed brass
Weight	0.1 kg	
Overall dimensions	40mm (L) x Ø50mm	
Thread diameter	Ø 3/8" BSP	
Type of mounting	Wall mounted (Ø17mm drill hole required)	
Operation type	A.I.R (Active Infrared) touch-free	
Cable length	3m	
Adjustable settings	Dictated by control box used	



ALL DIMENSIONS IN MM

2018-11-23, Dart Valley Systems

